

# CWI LIGHTING

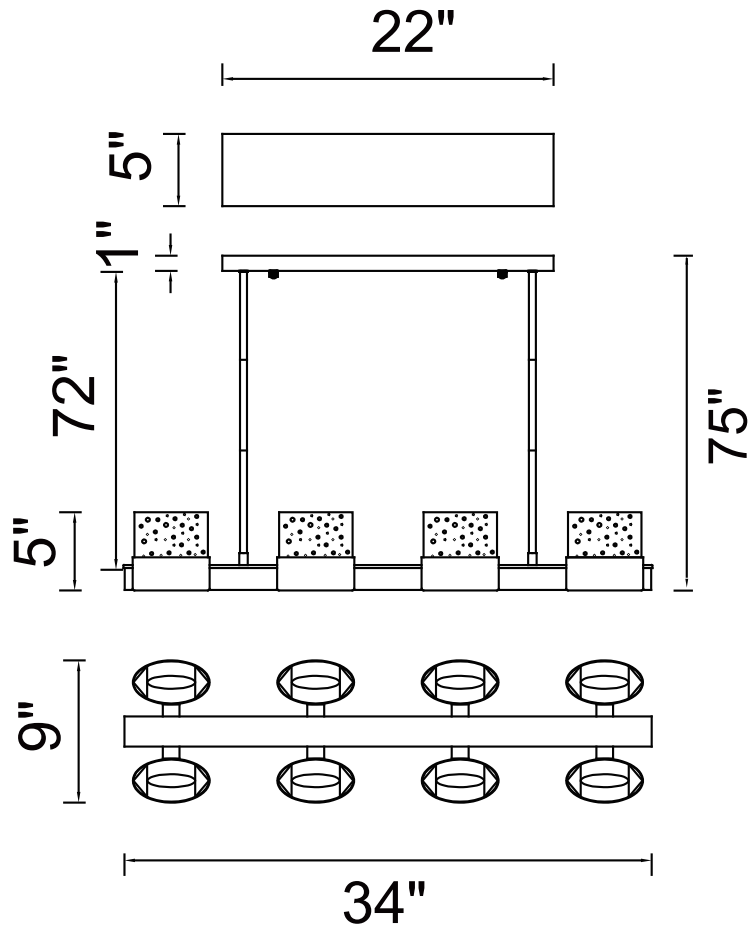
BRIGHTER LIVING. SIMPLIFIED.

PROJECT: \_\_\_\_\_

FIXTURE TYPE: \_\_\_\_\_

LOCATION: \_\_\_\_\_

CONTACT/PHONE: \_\_\_\_\_



Item	1061P34-8-601-RC
Collection	EMMANUELLA
Finish	Chrome
Glass	-----
Crystal	Clear
Input	120V AC,60HZ,AC

Shade	-----
Length/Dia.	34"
Width/Ext.	9"
Height	5"
Maximum	75"
Lumens	-----

Light Source	LED+G9
Bulb Info.	8×40W
Included	-----
Dimmable	No
Color	-----
Weight	14.0KG