

CWI LIGHTING

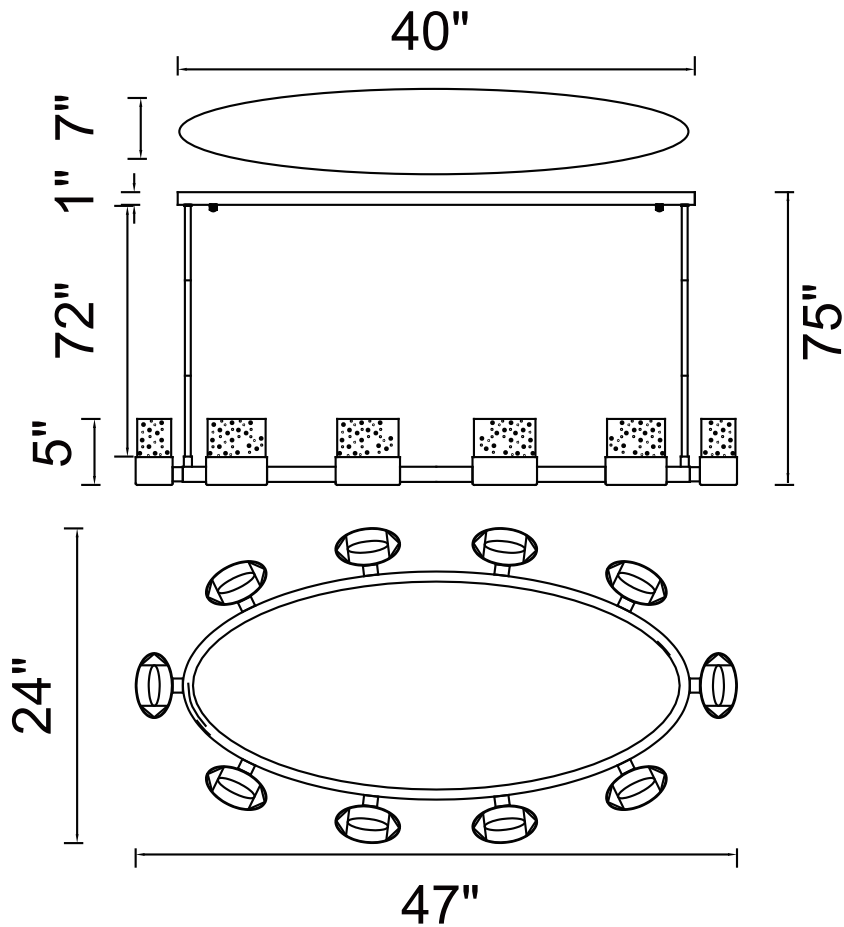
BRIGHTER LIVING. SIMPLIFIED.

PROJECT: _____

FIXTURE TYPE: _____

LOCATION: _____

CONTACT/PHONE: _____



Item	1061P47-10-601-O
Collection	EMMANUELLA
Finish	Chrome
Glass	-----
Crystal	Clear
Input	120V AC,60HZ,AC

Shade	-----
Length/Dia.	47"
Width/Ext.	24"
Height	5"
Maximum	75"
Lumens	-----

Light Source	LED+G9
Bulb Info.	10×40W
Included	-----
Dimmable	No
Color	-----
Weight	18.0KG