

Assembly Instruction Sheet #IS -1061W29-4

For Style 1061W29-4

Tools Required: Flathead screwdriver, Phillipe screwdriver, pliers, wire cutters, wire strippers, electrical tape, safety glasses.

Light Source: (4) G9 3-12W LED(Not Include).

Estimated Assembly Time: 15-30 minutes

Preparation: Identify and inspect all parts before beginning installation. Check package content list and diagrams below to be sure all parts are present. If any parts are missing or damaged, do not attempt to assemble, install, or operate the fixture. Contact customer service for replacement parts.

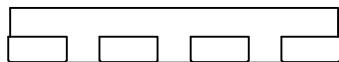
⚠ Warnings and Cautions

Turn off electricity at circuit breaker or main fuse box before installation. Consult a licensed electrician if in doubt. These instructions are provided for your safety. It is very important you read them completely before installing the fixture. We strongly recommend that a licensed, professional electrician perform the installation. Disconnect fixture from power source before replacing bulbs. Make sure bulbs are given sufficient time to cool before removal.

Package Contents



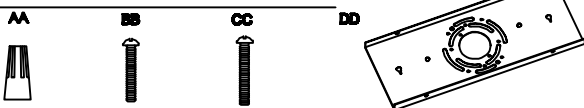
B Oval Crystal x4



A Fixture Body x1

Hardware Contents

PART	DESCRIPTION	QUANTITY
AA	Wire nut	3pcs
BB	Outlet Box Screw	6pcs
CC	Mounting Screw	6pcs
DD	Mounting bracket	1pcs



STEP 1 – Attach Mounting Screws, Lock Washers and Hex Nuts to Mounting bracket.

A. Line up a set of holes on the Mounting bracket (DD) and Holes on the Backplate. Thread Mounting Screws (CC) into the holes on the Mounting bracket (DD). Pass Lock Washers and thread Hex Nuts onto the Mounting Screws (CC). Hand tighten until snug.

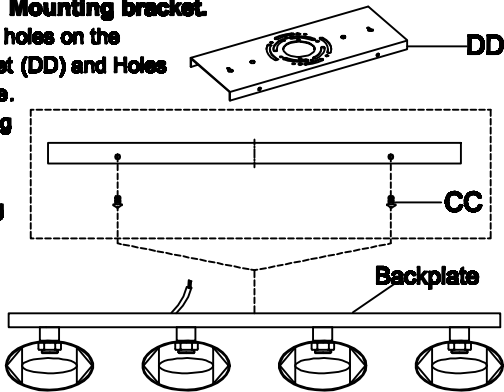


Figure 1

STEP 2 – Attach Mounting bracket to Outlet Box

Pass the supply wires through the Mounting bracket (DD). Attach the Mounting bracket (DD) to the Outlet Box with the head of the Green Ground Screw facing you. Secure it with Outlet Box Screws. Tighten until snug.

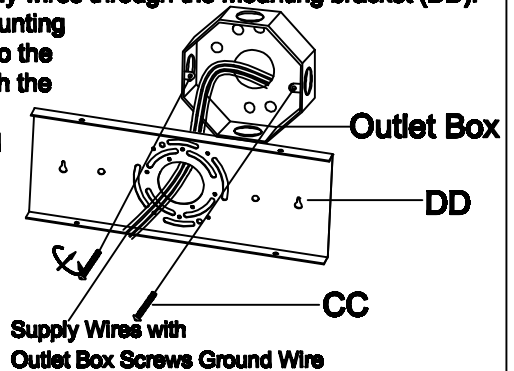


Figure 2

STEP 3 – Wire Connections

A. Use standard wire connectors to make all wire connections. Twist connectors until wires are tightly joined together. Wrap each connection with approved electrical tape and carefully stuff all the connected wires into the Outlet Box.

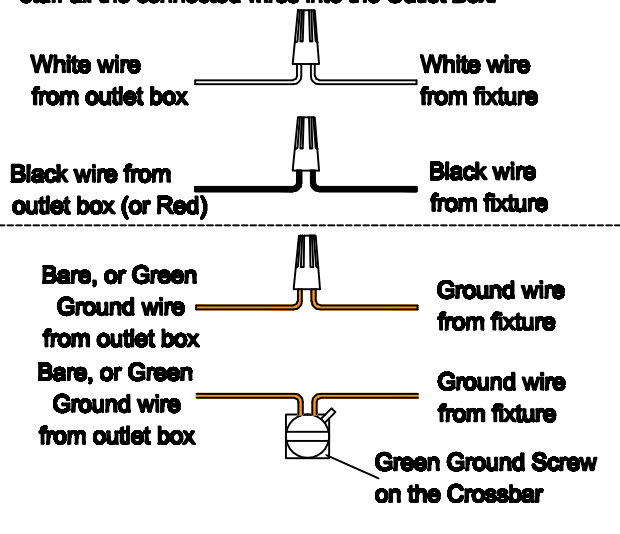


Figure 3