

# CWI LIGHTING

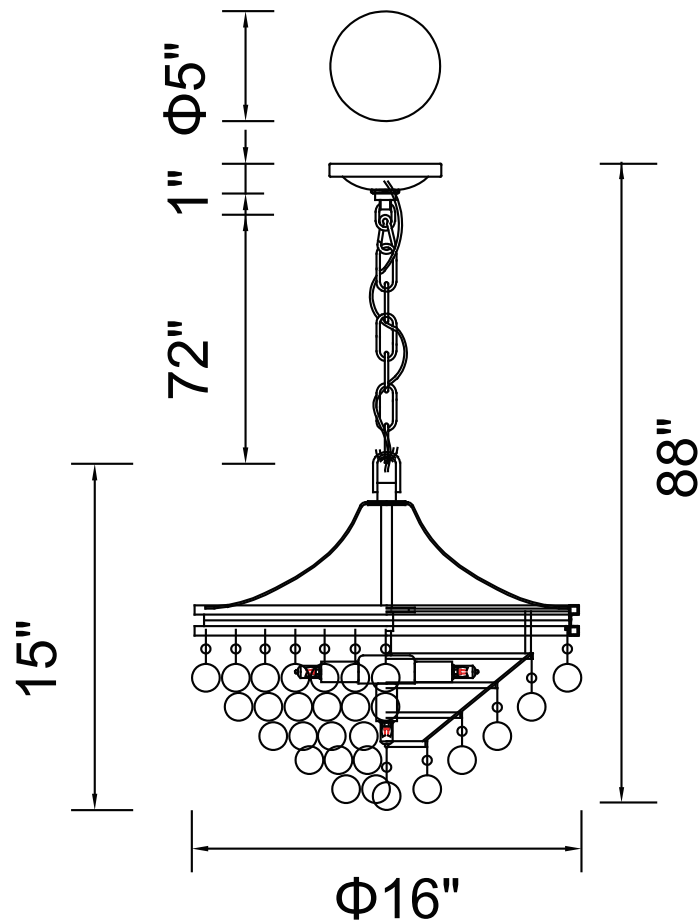
BRIGHTER LIVING. SIMPLIFIED.

PROJECT: \_\_\_\_\_

FIXTURE TYPE: \_\_\_\_\_

LOCATION: \_\_\_\_\_

CONTACT/PHONE: \_\_\_\_\_



Item	1070P16-5-601
Collection	SERAPHINA
Finish	Chrome
Glass	-----
Crystal	Clear
Input	120V AC,60HZ,AC

Shade	-----
Length/Dia.	16"
Width/Ext.	-----
Height	15"
Maximum	88"
Lumens	-----

Light Source	G9
Bulb Info.	5×40W
Included	-----
Dimmable	No
Color	-----
Weight	11.5KG