

# CWI LIGHTING

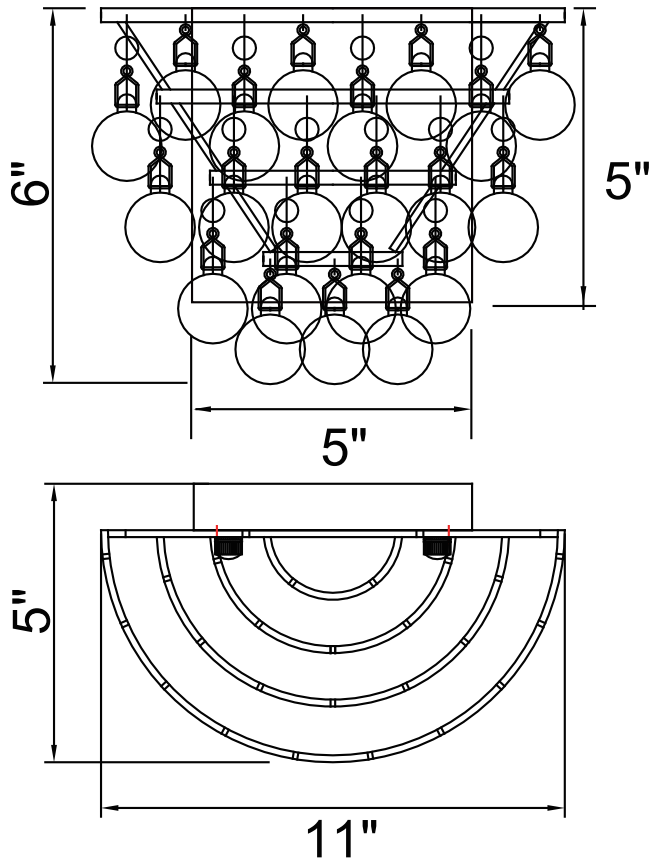
BRIGHTER LIVING. SIMPLIFIED.

PROJECT: \_\_\_\_\_

FIXTURE TYPE: \_\_\_\_\_

LOCATION: \_\_\_\_\_

CONTACT/PHONE: \_\_\_\_\_



Item	1070W11-2-601
Collection	SERAPHINA
Finish	Chrome
Glass	-----
Crystal	Clear
Input	120V AC,60HZ,AC

Shade	-----
Length/Dia.	11"
Width/Ext.	5"
Height	6"
Maximum	6"
Lumens	-----

Light Source	G9
Bulb Info.	2x40W
Included	-----
Dimmable	No
Color	-----
Weight	2.5KG