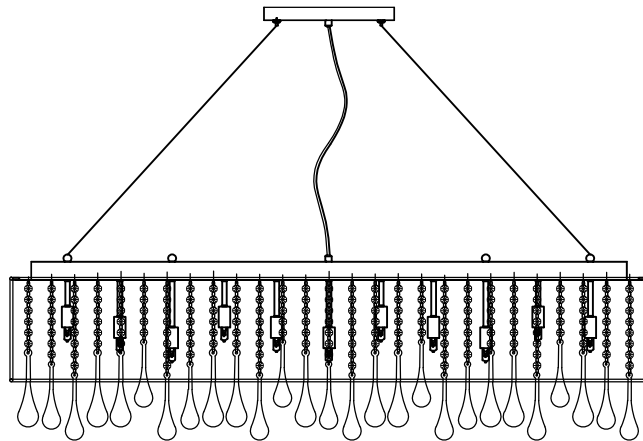


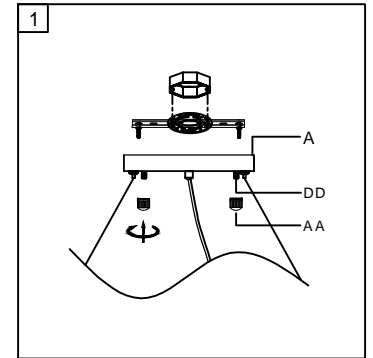
Trade Mark:  
CRYSTAL WORLD INC

Product Name: Pendant lamp  
Model :5005P48C  
120Vac, 60Hz, AC ONLY  
Lamp Size:L48"\*W13"\*48"H



## PENDANT LAMP ASSEMBLY INSTRUCTIONS

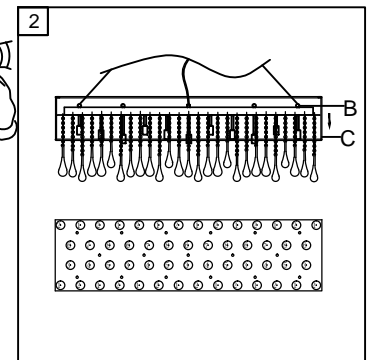
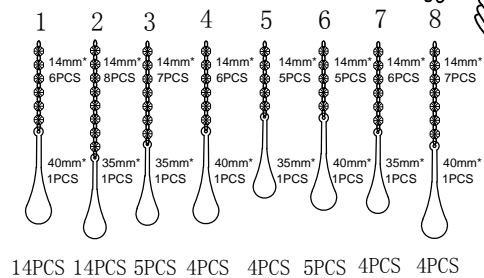
1. Place fixture(A) onto mounting screws (DD).secure with cap nuts (AA).




### Hardware Used

AA Cap nut  X 2  
DD Mounting screw  X 2

2. Please hang the crystal(1) (2) (3) (4) (5) (6) (7) (8) to the fixture .



3. Install light bulbs ( not included).  
Use bulb  
**120V G9**  **17\*40W Max.**

