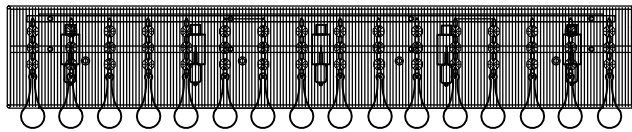


Trade Mark:
CRYSTAL WORLD INC

Product Name: Wall lamp
Model :5005W32C-RC
120Vac, 60Hz,AC ONLY
Lamp Size:W32"xH7"xE5"



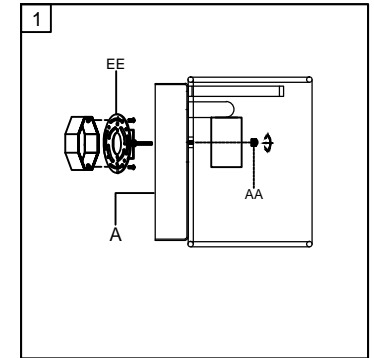
Intertek
4006677

WALL LAMP ASSEMBLY INSTRUCTIONS

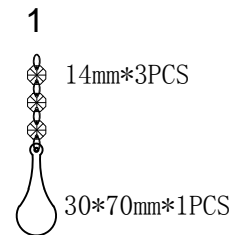
1. Place fixture(A) onto Butterfly (EE).
Secure with cap nuts (AA).

Hardware Used

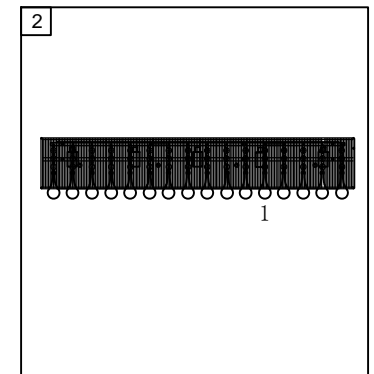
AA Cap nut  X 2




2. Please hang the crystal (1) to the fixture.



18PCS



3. Install light bulbs (not included).
Use bulb  **5*40W Max.**

