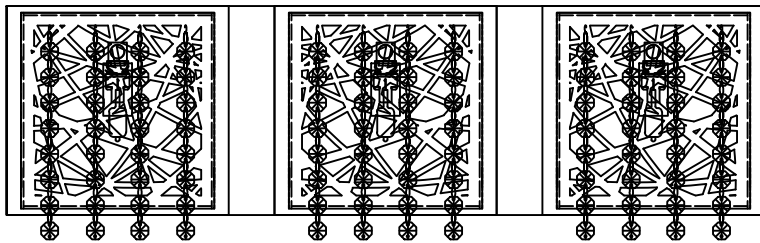


Trade Mark:
CRYSTAL WORLD INC

Product Name: Wall lamp
Model :5008W23ST-S-3
120Vac, 60Hz,AC ONLY
Lamp Size: W23"*H8"*E4"





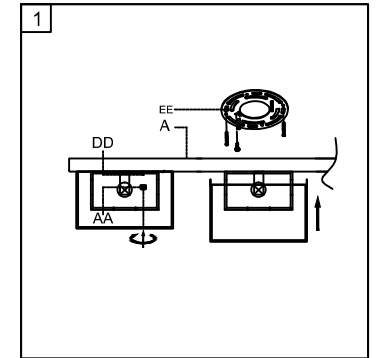
Intertek
4006677

WALL LAMP ASSEMBLY INSTRUCTIONS

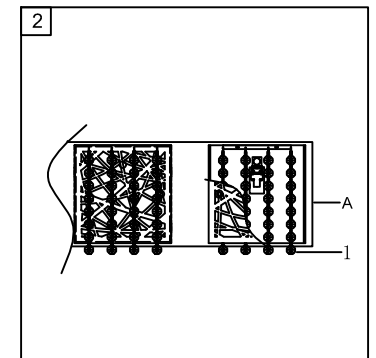
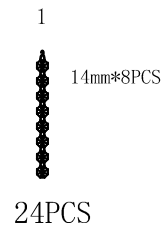
1. Place fixture(A) onto mounting screws (DD). secure with cap nuts (AA).

Hardware Used

AA Cap nut		X 2
DD Mounting screw		X 2



2. Please hang the crystal(1) to the fixture (A).



3. Install light bulbs (not included).
Use bulb

120V  G9 3*40W Max.

