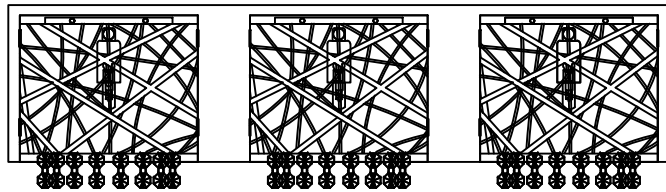


Trade Mark:
CRYSTAL WORLD INC



Product Name: Wall lamp
Model :5008W25ST-R-3
120Vac, 60Hz,AC ONLY
Lamp Size: W25"*H7"*E4"

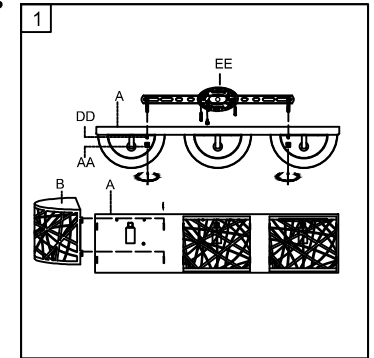


WALL LAMP ASSEMBLY INSTRUCTIONS

1. Place fixture (A) onto mounting screws (DD). secure with cap nuts (AA). Place (B) onto (A).

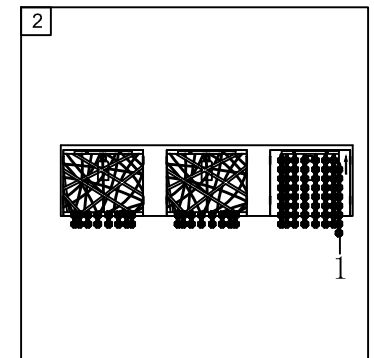
Hardware Used

AA Cap nut  X 2
DD Mounting screw  X 2



2. Please hang the crystal (1) to the fixture (A).

1
14mm*8PCS
24PCS



3. Install light bulbs (not included).
Use bulb

120V  G9 3x40W Max.

