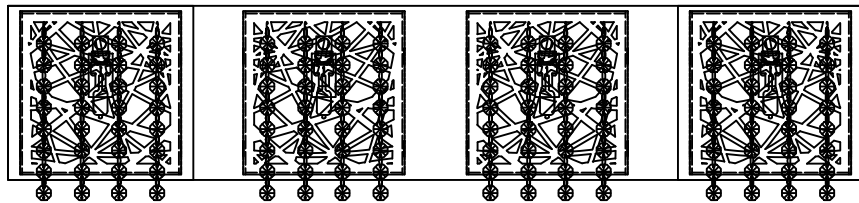


Trade Mark:  
CRYSTAL WORLD INC

Product Name: Wall lamp  
Model :5008W31ST-S-4  
120Vac, 60Hz,AC ONLY  
Lamp Size: W31"\*H8"\*E4"

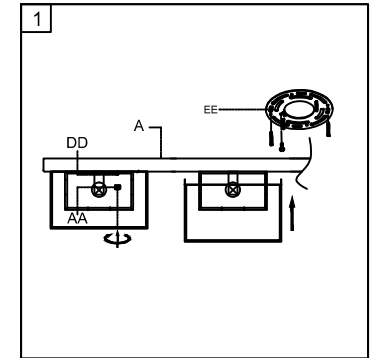


## WALL LAMP ASSEMBLY INSTRUCTIONS

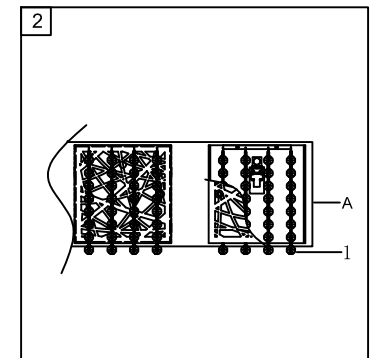
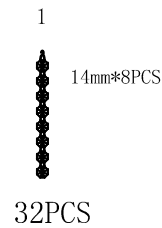
1. Place fixture(A) onto mounting screws (DD). secure with cap nuts (AA).

### Hardware Used

AA Cap nut		X 2
DD Mounting screw		X 2



2. Please hang the crystal(1) to the fixture (A).



3. Install light bulbs ( not included).  
Use bulb

120V  G9 4\*40W Max.

