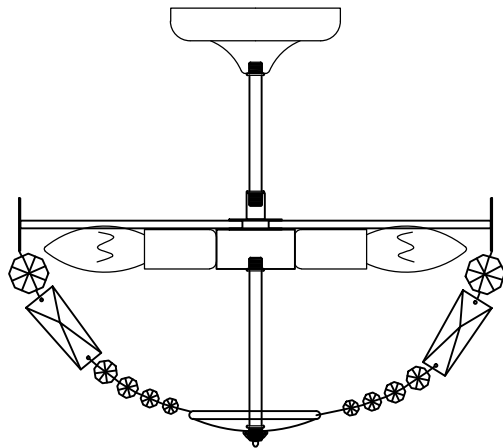


Trade Mark:  
CRYSTAL WORLD INC

Product Name: Pendant lamp  
Model :5049C14AB  
120Vac, 60Hz,AC ONLY  
Lamp Size:D14"\*H13"

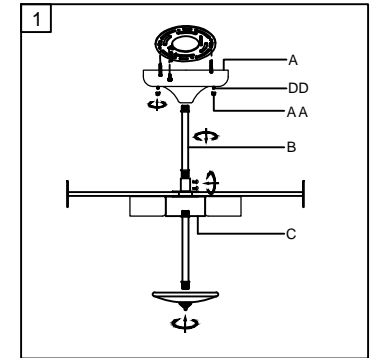


## PENDANT LAMP ASSEMBLY INSTRUCTIONS

1. Place fixture(A) onto mounting screws (DD).secure with cap nuts (AA).
2. Please fix (A) with (B).(B) with (C).

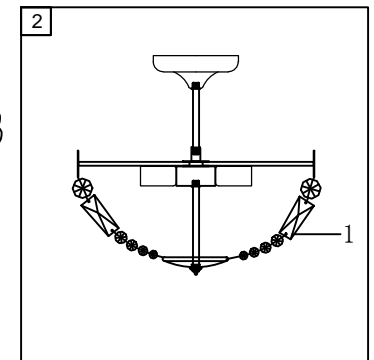
### Hardware Used

- AA Cap nut  X 2  
DD Mounting screw  X 2



2. Please hang the crystal(1) to the fixture .

- 1  
28mm\*1PCS  
63mm\*1PCS  
18mm\*1PCS  
16mm\*1PCS  
14mm\*1PCS  
12mm\*1PCS  
35PCS



3. Install light bulbs ( not included).  
Use bulb  
**120V E12 3\*40W Max.**

