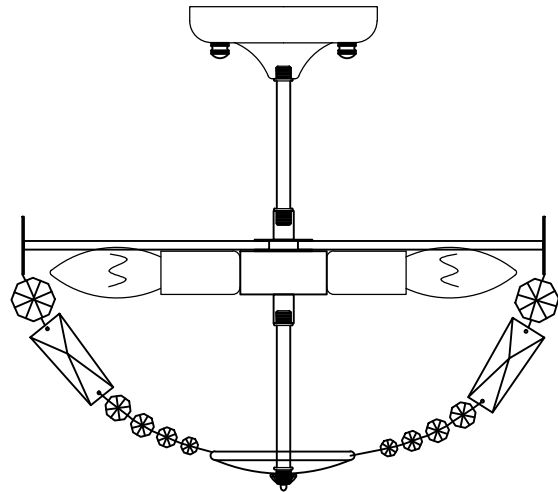



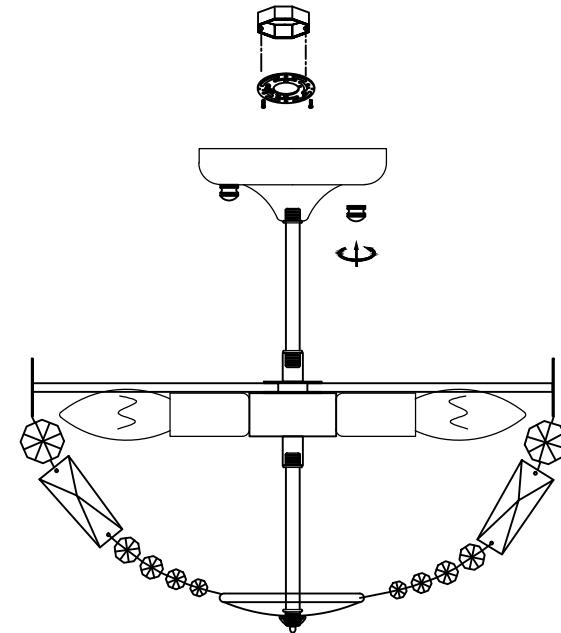
Trade Mark:
CRYSTAL WORLD INC

Product Name: Pendant lamp
Model :5049P14AB
120Vac, 60Hz,AC ONLY
Lamp Size:D14"H14"



PENDANT LAMP ASSEMBLY INSTRUCTIONS

1. Please take off the plastic sheet from the lamp body.
2. Install bulbs(NOT INCLUDED).USE **120V E12**  **3*40W Max.**



12#+14#+16#+18#+28#+63#

35 PCS

