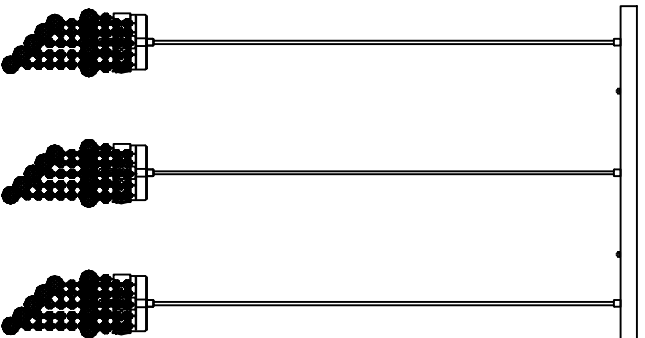


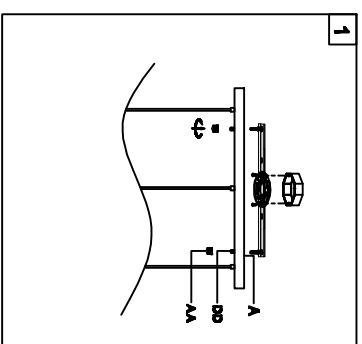
Trade Mark:
CRYSTAL WORLD INC

Product Name: Pendant lamp
Model :5072PP20C-RC
120Vac, 60Hz,AC ONLY
Lamp Size:L20"*W5"*59"H



PENDANT LAMP ASSEMBLY INSTRUCTIONS

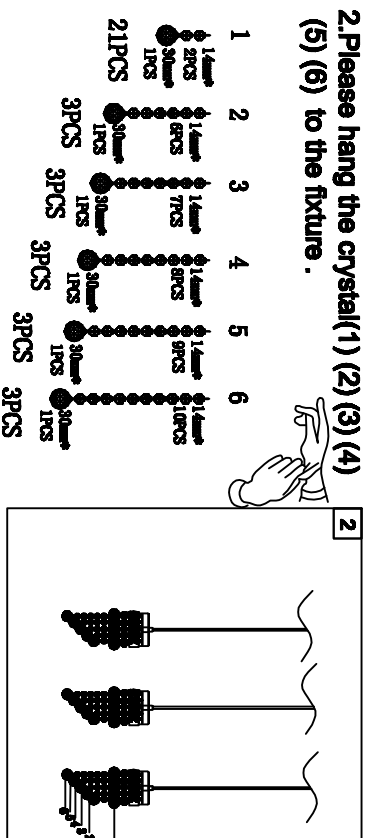
1.Place fixture(A)onto mounting screws (DD),secure with cap nuts (AA).



Hardware Used

AA Cap nut X 2
DD Mounting screw X 2

2.Please hang the crystal(1) (2) (3) (4) (5) (6) to the fixture .



3.Install light bulbs (not included).
Use bulb
120V G9 **3*40W Max.**

