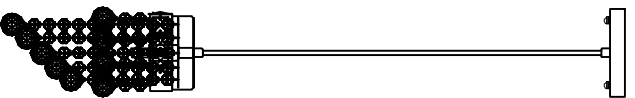


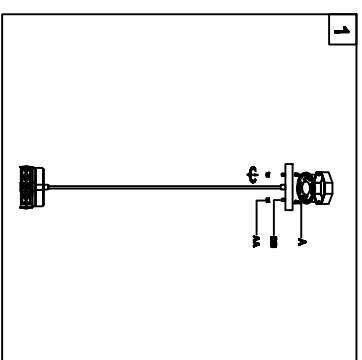
Trade Mark:  
CRYSTAL WORLD INC

Product Name: Pendant lamp  
Model :5072PP5C-R  
120Vac, 60Hz,AC ONLY  
Lamp Size:Ø5"X59"H



## PENDANT LAMP ASSEMBLY INSTRUCTIONS

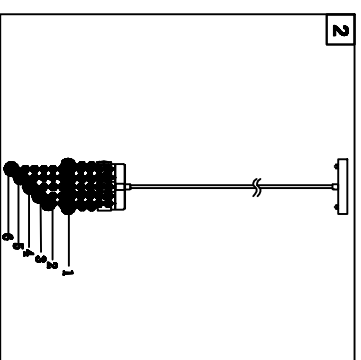
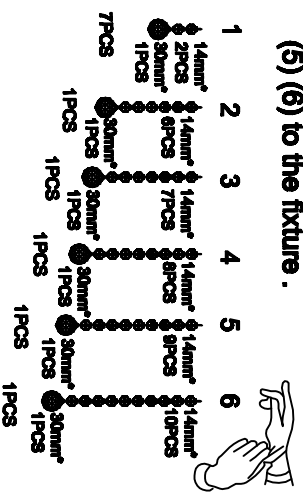
1.Place fixture(A)onto mounting screws (DD),secure with cap nuts (AA).



**Hardware Used**

AA Cap nut	2	X 2
DD Mounting screw	2	X 2

2.Please hang the crystal(1) (2) (3) (4) (5) (6) to the fixture .



3.Install light bulbs ( not included).  
Use bulb  
120V G9 1\*40W Max.

