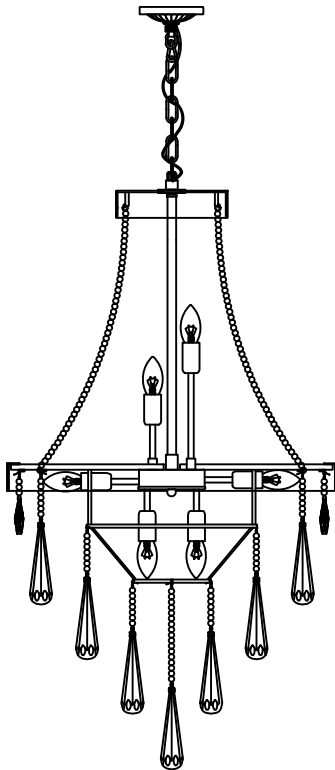



Trade Mark:
CRYSTAL WORLD INC

Product Name: Pendant lamp
Model :5078P24C
120Vac, 60Hz,AC ONLY
Lamp Size:Ø24"X42"H



PENDANT LAMP ASSEMBLY INSTRUCTIONS

- 1.Screw part(D) onto the lampbody(E) secure with screw.
- 2.Screw part (C) and (F) onto (E) secure with screw.
- 3.Please fix (A) with (B).
- 4.Please wear gloves when you hanging the crystal.
- 5.Install bulbs(NOT INCLUDED).USE **120V E12**  **13*40W Max.**

