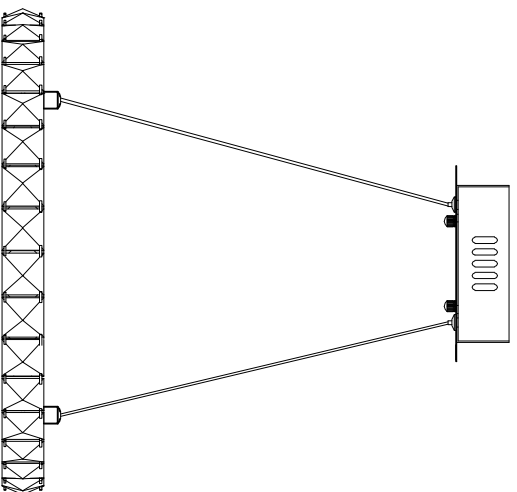


Trade Mark:
CRYSTAL WORLD INC

Product Name: Pendant lamp
Model :5080P20ST-R
120Vac, 60Hz,AC ONLY
Lamp Size:Ø20"XH118"

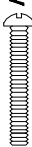


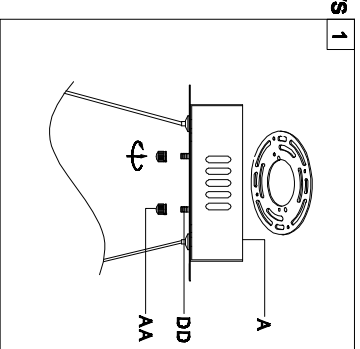

C_{UL} US
Intertek
4006677

PENDANT LAMP ASSEMBLY INSTRUCTIONS

1. Place fixture (A) onto mounting screws (DD), secure with cap nuts (AA).

Hardware Used

AA Cap nut	⊖	X 2
DD Mounting screw		X 2



2. Lighting bulbs (not included).

**120V LED 18*1W
NOT DIMMABLE (4000K)**

