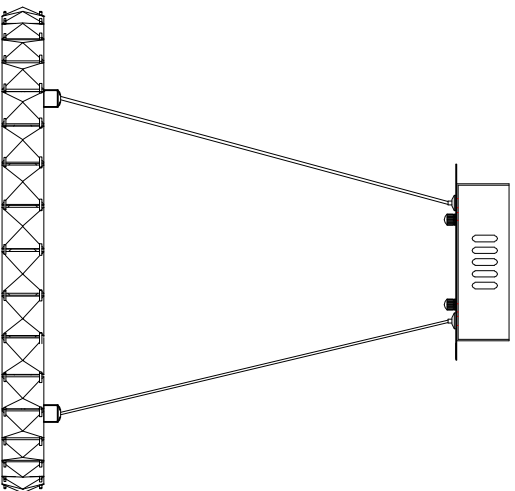


Trade Mark:  
CRYSTAL WORLD INC

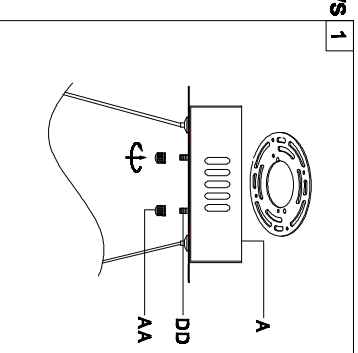
Product Name: Pendant lamp  
Model :5080P20ST-R  
120Vac, 60Hz,AC ONLY  
Lamp Size:Ø20"XH118"



## PENDANT LAMP ASSEMBLY INSTRUCTIONS

1. Place fixture (A) onto mounting screws (DD), secure with cap nuts (AA).

Hardware Used	
AA Cap nut	X 2
DD Mounting screw	X 2



2. Lighting bulbs ( not included).

**120V LED 18\*1W  
NOT DIMMABLE (4000K)**

