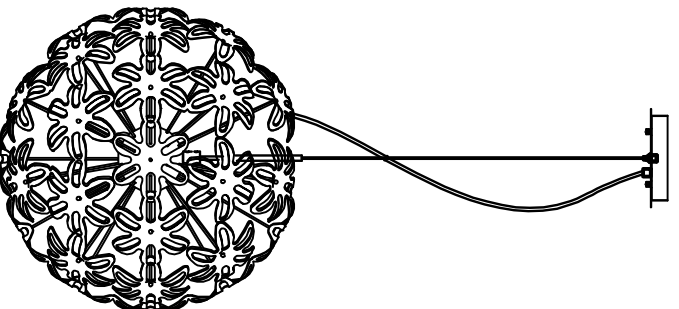


Trade Mark:
CRYSTAL WORLD INC

Product Name: Pendant lamp
MODEL:5410P24C
120Vac, 60Hz,AC ONLY
Lamp Size:Ø24"XH24"-H48"

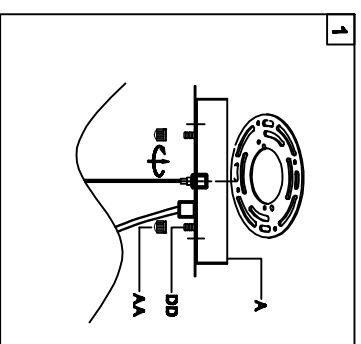


PENDANT LAMP ASSEMBLY INSTRUCTIONS

1.Place fixture(A)onto mounting screws (DD),secure with cap nuts (AA).

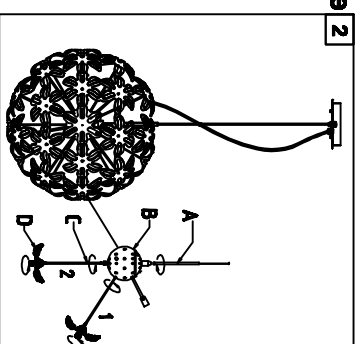
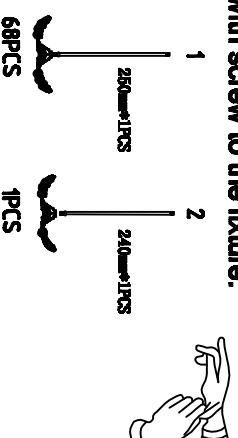
Hardware Used

AA Cap nut	2	X 2
DD Mounting screw	2	X 2



2.Please Screw part (A) and (C) onto the lamphody (B).

Screw part (D) onto the lamphody (C) with screw to the fixture.



3.Install light bulbs (not included).
Use 120V G9 9*40W Max.

BULB G9 120V 40W 14PCS

