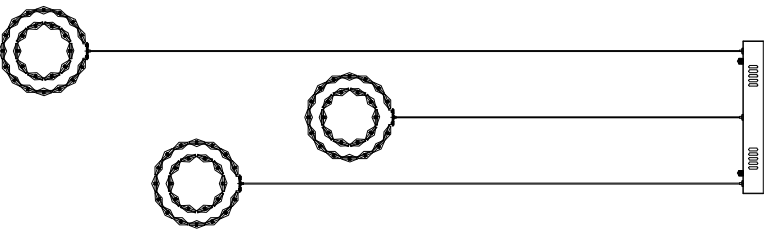


Trade Mark:
CRYSTAL WORLD INC

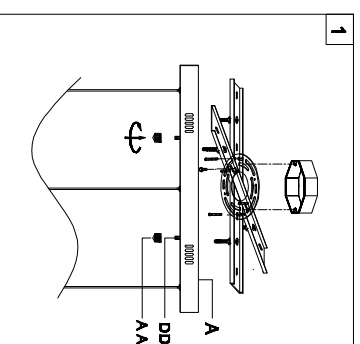
Product Name: Pendant lamp
Model :5417P16ST-R
120Vac, 60Hz,AC ONLY
Lamp Size:Ø16"H10"-H118"



PENDANT LAMP ASSEMBLY INSTRUCTIONS

1. Place fixture(A) onto mounting screws (DD), secure with cap nuts (AA).

| Hardware Used | |
|-------------------|-----|
| AA Cap nut | X 4 |
| DD Mounting screw | X 4 |



2. lighting bulbs (not included).

120V LED 18*1W DIMMABLE (4000K)

