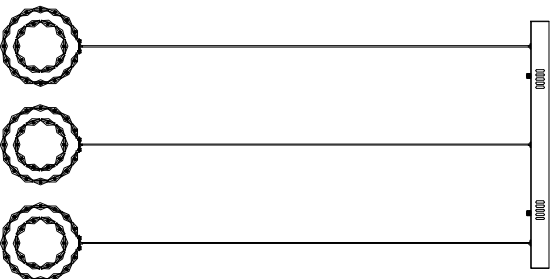


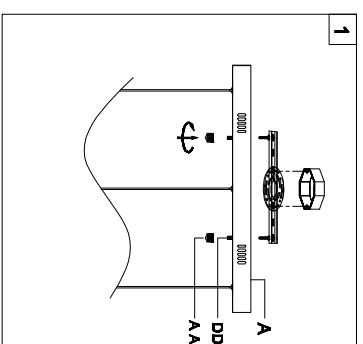
Trade Mark:
CRYSTAL WORLD INC

Product Name: Pendant lamp
Model :5417P24C-RC-A
120Vac, 60Hz,AC ONLY
Lamp Size:L24"*W7"*H10"-H118"



PENDANT LAMP ASSEMBLY INSTRUCTIONS

1. Place fixture(A) onto mounting screws (DD),secure with cap nuts (AA).



Hardware Used

AA Cap nut 2 X 2
DD Mounting screw X 2

2. lighting bulbs (not included).

**120V LED 18*1W DIMMABLE
(4000K)**

