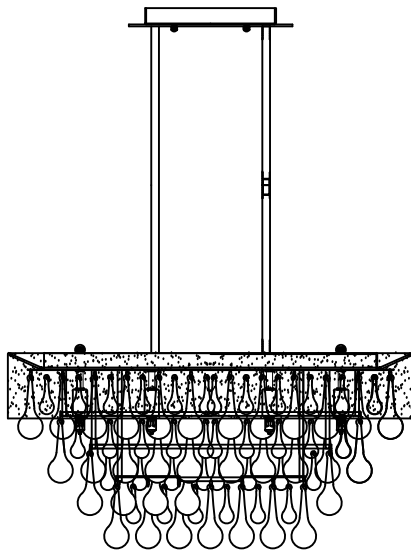


Trade Mark:
CRYSTAL WORLD INC

Product Name: Pendant lamp
Model :5422P22C-R
120Vac, 60Hz,AC ONLY
Lamp Size:Ø22"*H12"-H48"

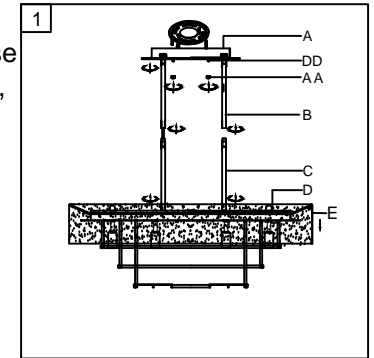


PENDANT LAMP ASSEMBLY INSTRUCTIONS

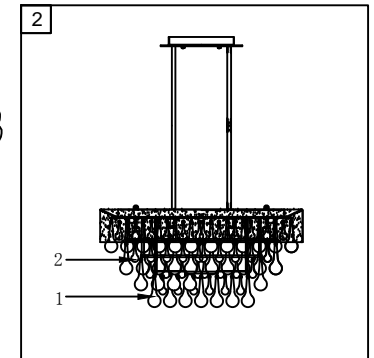
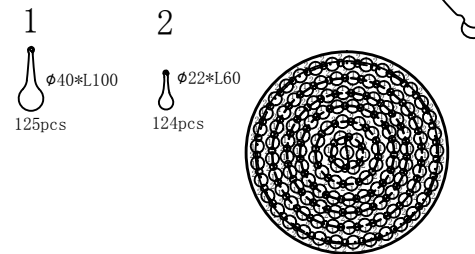
1. Place fixture(A) onto mounting screws (DD).secure with cap nuts (AA) . Please fix (A) with (B).(B) with (C),(C) with (D), (D) with (E).


Hardware Used

AA Cap nut  X 2
DD Mounting screw  X 2



2. Please hang the crystal(1) (2) to the fixture .



3. Install light bulbs (not included).
Use bulb  **120V G9 8*40W Max.**

