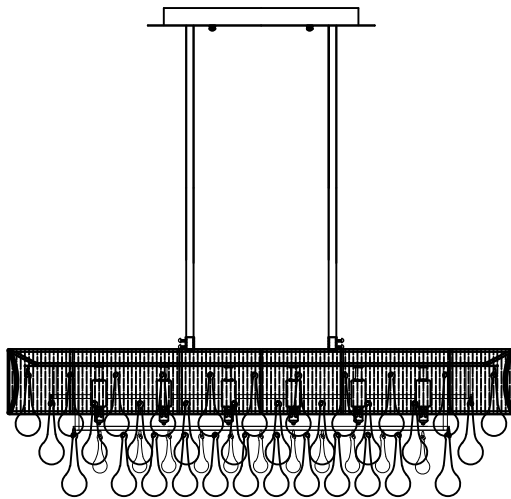


Trade Mark:
CRYSTAL WORLD INC

Product Name: Ceiling lamp
Model :5422P30C-O
120Vac, 60Hz,AC ONLY
Lamp Size:L30"*W12"*H9"

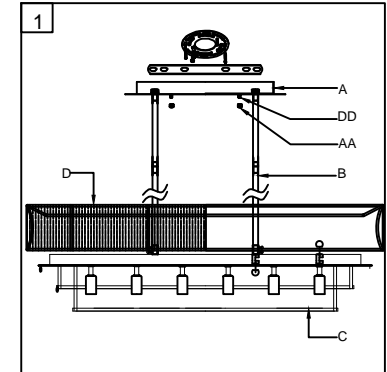



CEILING LAMP ASSEMBLY INSTRUCTIONS

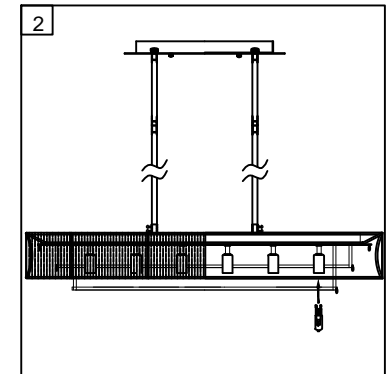
- Place fixture(A) onto mounting screws (DD).secure with cap nuts (AA). Please fix (A) with (B).(B) with (C), (D) to (C)

Hardware Used

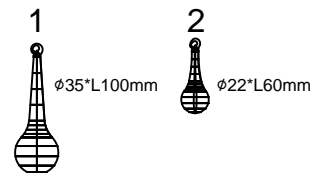
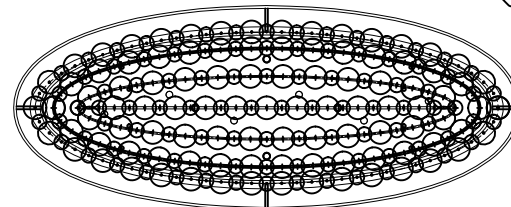
AA Cap nut		X 2
DD Mounting screw		X 2



- Install light bulbs (not included).
Use bulb
120V G9  6*40W Max.



- Please put the crystal(1,2) to the fixture. 隔一挂一



99PCS 100PCS

