

# CWI LIGHTING

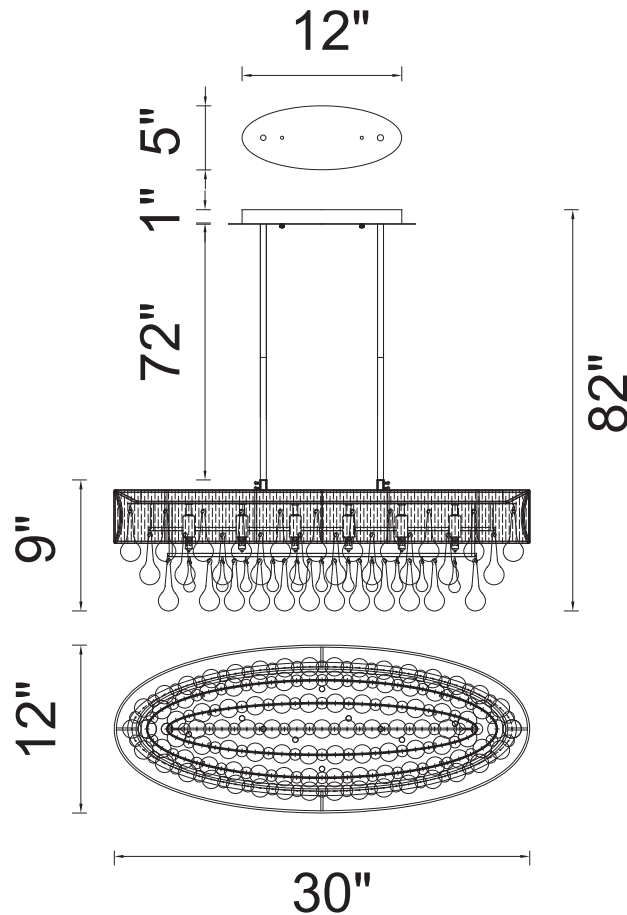
BRIGHTER LIVING. SIMPLIFIED.

PROJECT: \_\_\_\_\_

FIXTURE TYPE: \_\_\_\_\_

LOCATION: \_\_\_\_\_

CONTACT/PHONE: \_\_\_\_\_



|            |                 |
|------------|-----------------|
| Item       | 5422P30C-O      |
| Collection | ATLANTIC        |
| Finish     | Chrome          |
| Glass      | -----           |
| Crystal    | Clear           |
| Input      | 120V AC,60HZ,AC |

|             |       |
|-------------|-------|
| Shade       | White |
| Length/Dia. | 30"   |
| Width/Ext.  | 12"   |
| Height      | 9"    |
| Maximum     | 82"   |
| Lumens      | ----- |

|              |       |
|--------------|-------|
| Light Source | G9    |
| Bulb Info.   | 6x40W |
| Included     | ----- |
| Dimmable     | No    |
| Color        | ----- |
| Weight       |       |