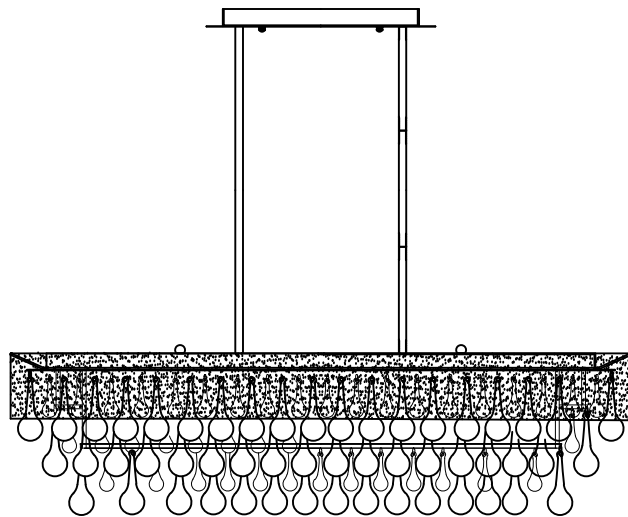


Trade Mark:
CRYSTAL WORLD INC

Product Name: Pendant lamp
Model :5422P36C-O
120Vac, 60Hz,AC ONLY
Lamp Size:L36"*W15"*48"H

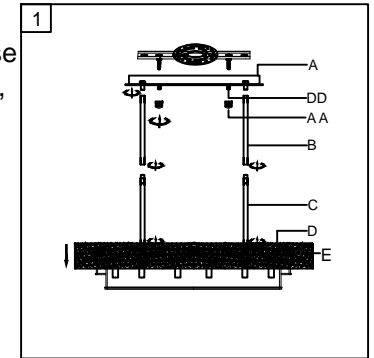


PENDANT LAMP ASSEMBLY INSTRUCTIONS



1. Place fixture(A) onto mounting screws (DD).secure with cap nuts (AA) . Please fix (A) with (B).(B) with (C),(C) with (D), (D) with (E).

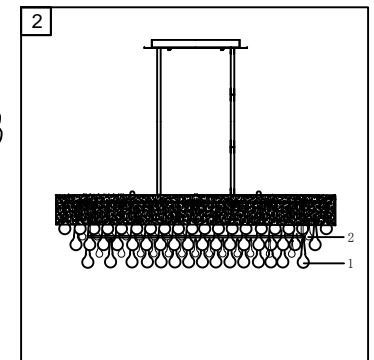
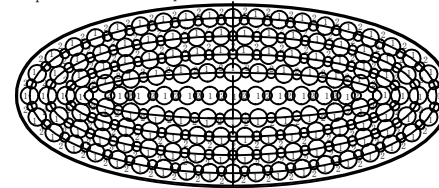
Hardware Used


AA Cap nut  X 2
DD Mounting screw  X 2



2. Please hang the crystal(1) (2) to the fixture .

1  $\phi 40 * L100$ 139pcs
2  $\phi 22 * L60$ 140pcs



3. Install light bulbs (not included).
Use bulb  **120V G9 10*40W Max.**

