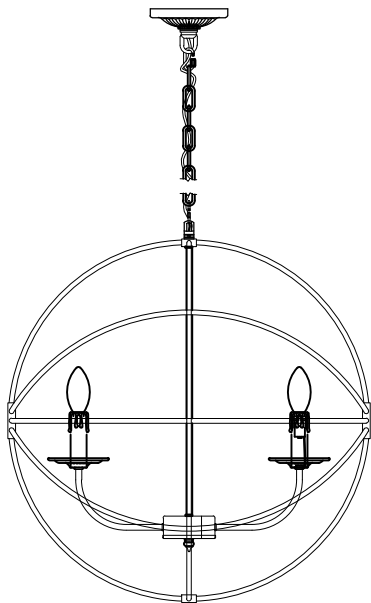


Trade Mark:
CRYSTAL WORLD INC

Product Name: Pendant lamp
Model :5464P24DB-8
120Vac, 60Hz,AC ONLY
Lamp Size:Ø24*H25"

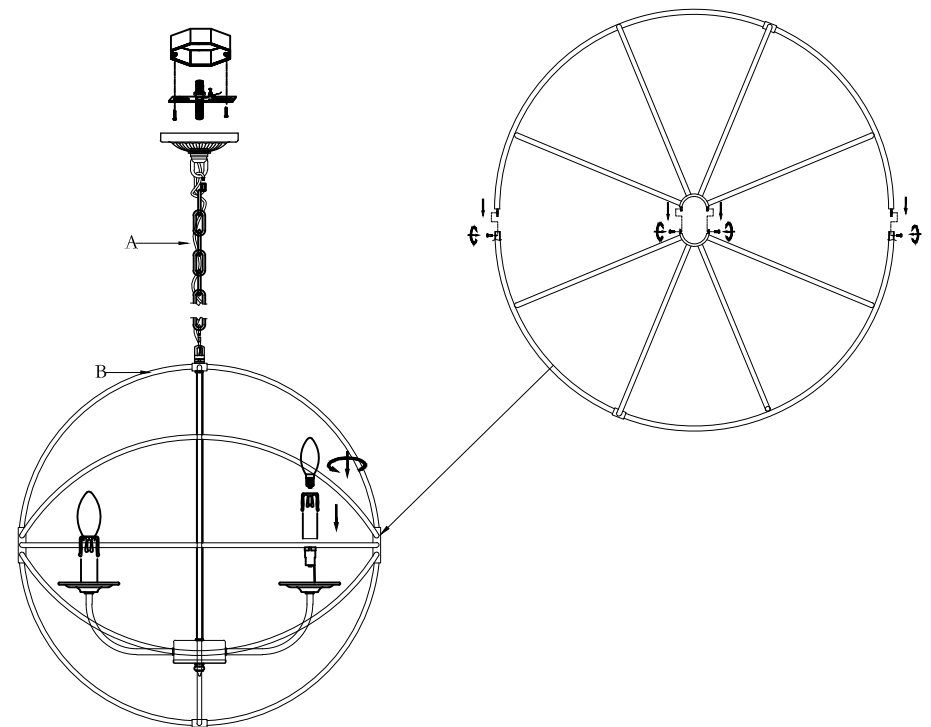


Page 1/4



PENDANT LAMP ASSEMBLY INSTRUCTIONS

1.Install bulbs(NOT INCLUDED).USE **120V E12 8*40W Max.**



Page 2/4