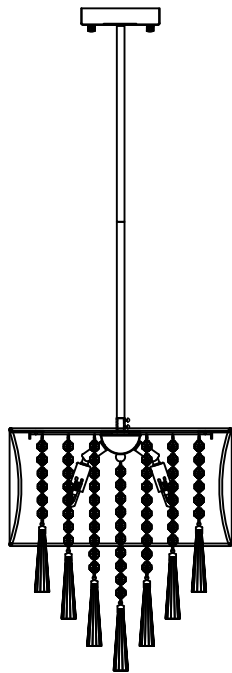


Trade Mark:  
CRYSTAL WORLD INC

Product Name: Pendant lamp  
Model :5519P13C  
120Vac, 60Hz,AC ONLY  
Lamp Size:Ø13"\*H15"-H79"

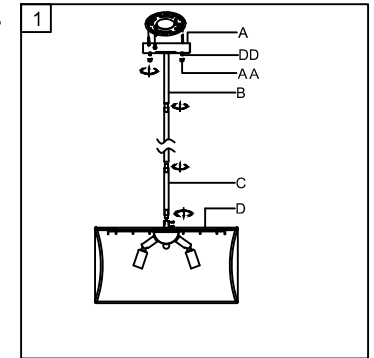


## PENDANT LAMP ASSEMBLY INSTRUCTIONS

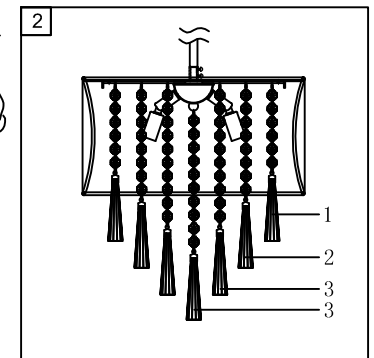
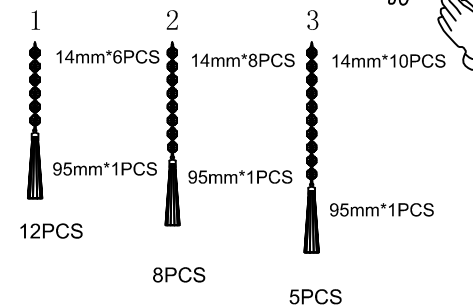
1. Place fixture(A) onto mounting screws (DD), secure with cap nuts (AA). Please fix (A) with (B), (B) with (C), (C) with (D).


### Hardware Used

AA Cap nut  X 2  
DD Mounting screw  X 2



2. Please hang the crystal (1) (2) (3) to the fixture.



3. Install light bulbs (not included).  
Use bulb  **120V G9 4\*40W Max.**

