

Assembly Instruction Sheet #IS-5536P40ST-RC

For Style 5536P40ST-RC

Tools Required: Flathead screwdriver, Phillips screwdriver, pliers, wire cutters, wire strippers, electrical tape, safety glasses.

Light Source: (4) G9 40W Maximum (Not Include)

Estimated Assembly Time: 10-20 minutes

Preparation: Identify and inspect all parts before beginning installation. Check package content list and diagrams below to be sure all parts are present. If any parts are missing or damaged, do not attempt to assemble, install, or operate the fixture. Contact customer service for replacement parts.

⚠ Warnings and Cautions

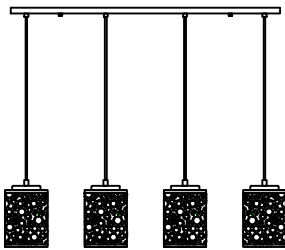
Turn off electricity at circuit breaker or main fuse box before installation. Consult a licensed electrician if in doubt.

These instructions are provided for your safety. It is very important you read them completely before installing the fixture.

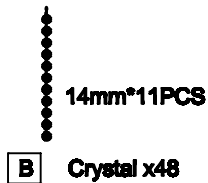
We strongly recommend that a licensed, professional electrician perform the installation.

Disconnect fixture from power source before replacing bulbs. Make sure bulbs are given sufficient time to cool before removal.

Package Contents



A Fixture Body x1



B Crystal x48

Hardware Contents

PART	DESCRIPTION	QUANTITY
AA	Decorative Caps	2pcs
BB	Electrical Marrets	2 pcs
CC	Outlet Box Screw	2pcs
DD	Mounting Screw	2pcs
EE	Crossbar	1pcs



STEP 1 – Attach Mounting Screws, Lock Washers and Hex Nuts to Crossbar.

A. Line up a set of holes on the Crossbar (EE) and Holes on the ceiling canopy. Thread Mounting Screws (DD) into the holes on the Crossbar (EE). Pass Lock Washers and thread Hex Nuts onto the Mounting Screws (DD). Hand tighten until snug.

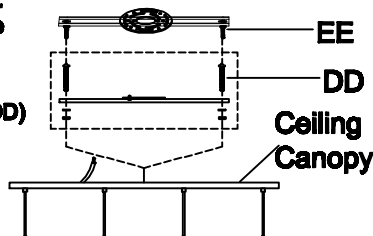
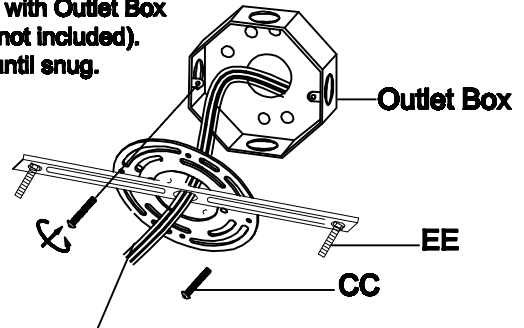


Figure 1

STEP 2 – Attach Crossbar to Outlet Box.

A. Pass the supply wires through the Crossbar (EE). Attach the Crossbar (EE) to the Outlet Box (CC) with the head of the Green Ground Screw facing you. Secure it with Outlet Box Screws (not included). Tighten until snug.



Supply Wires with Outlet Box Screws Ground Wire

Figure 2

STEP 3 – Fit Ceiling Canopy to Crossbar Assembly

A. Fit the ceiling canopy to Mounting Screws (DD) and secure with Decorative Caps (AA). Note: The ceiling canopy should be snug against the ceiling and the Decorative Caps(AA). If not, adjust the length of the Mounting Screws (DD) by unscrewing the Hex Nut and Lock Washer and then screwing Mounting Screws (DD) in or out of the Crossbar (EE) until the correct length is achieved. Once the ceiling canopy is secure, remove the Decorative Caps (AA) and ceiling canopy and proceed to Step 4.

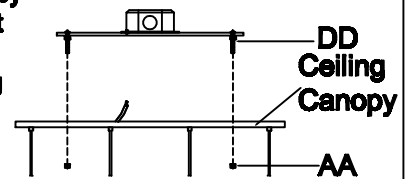


Figure 3