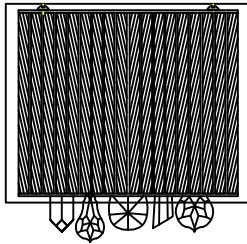


Trade Mark:
CRYSTAL WORLD INC



Product Name: Wall lamp
Model :5562W8C-1
120Vac, 60Hz,AC ONLY
Lamp Size:W8"*H7"*E4"

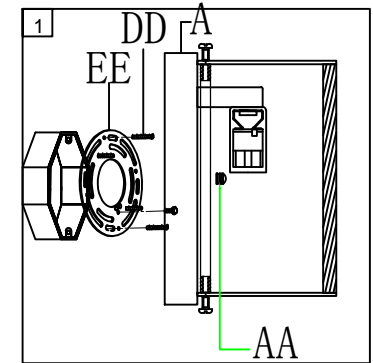


WALL LAMP ASSEMBLY INSTRUCTIONS

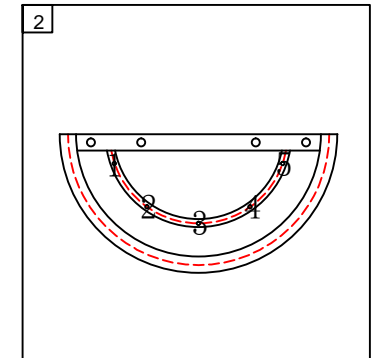
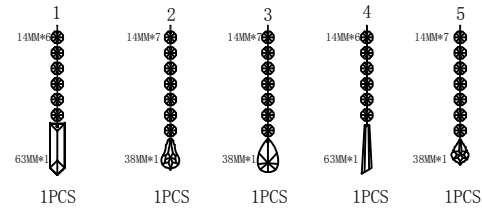
- Place fixture(A) onto Butterfly (EE).
Secure(DD) with cap nuts (AA).
Install glass shade .

Hardware Used

AA Cap nut		X 2
DD Mounting screw		X 2



- Please wear gloves
when you hanging the crystal.



- Install light bulbs (not included).
Use bulb
120V G9 1*40W Max.

