

# CWI LIGHTING

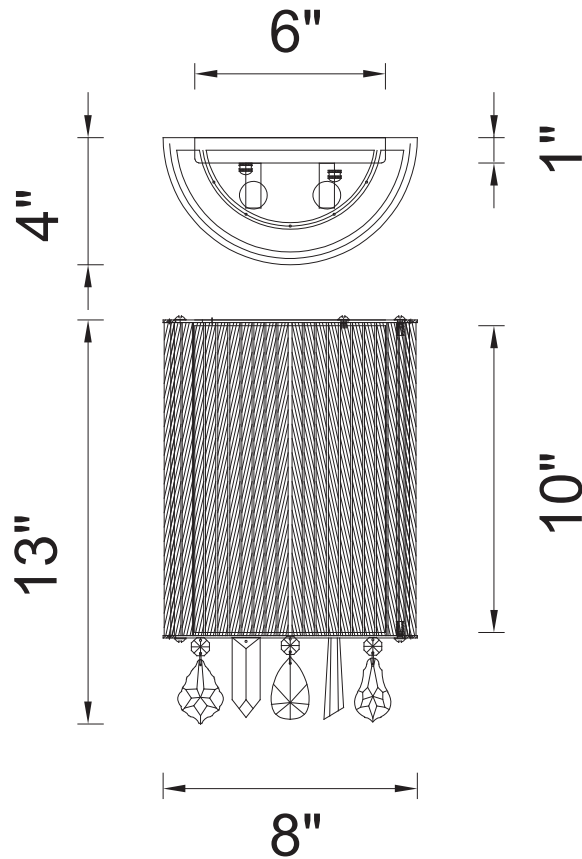
BRIGHTER LIVING. SIMPLIFIED.

PROJECT: \_\_\_\_\_

FIXTURE TYPE: \_\_\_\_\_

LOCATION: \_\_\_\_\_

CONTACT/PHONE: \_\_\_\_\_



Item	5562W8C-A
Collection	BENSON
Finish	Chrome
Glass	Clear
Crystal	Clear
Input	120V AC,60HZ,AC

Shade	-----
Length/Dia.	8"
Width/Ext.	4"
Height	13"
Maximum	-----
Lumens	-----

Light Source	G9
Bulb Info.	2×40W
Included	-----
Dimmable	No
Color	-----
Weight	