

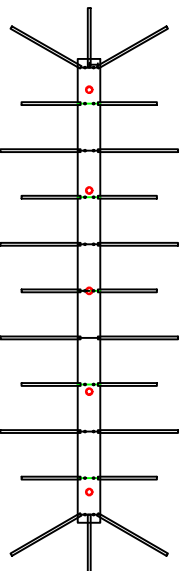
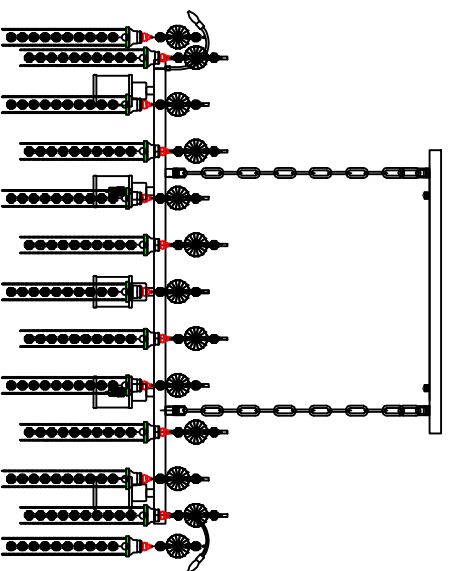
Trade Mark:  
CRYSTAL WORLD INC

Product Name: Pendant lamp

Model :5622P39C

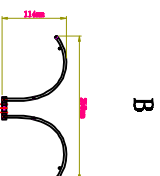
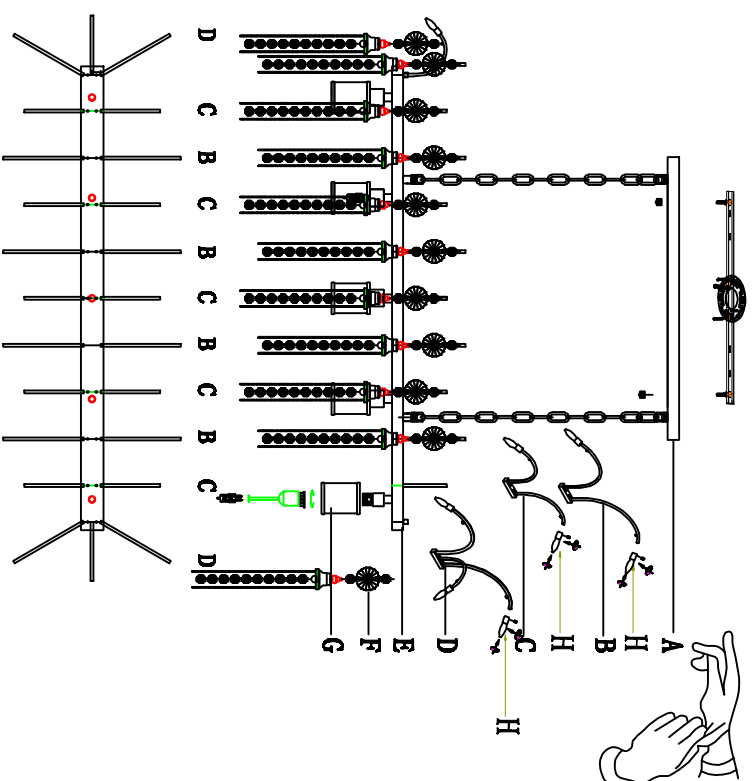
120Vac, 60Hz,AC ONLY

Lamp Size:1.39' \*W12' \*H16'

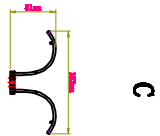


## PENDANT LAMP ASSEMBLY INSTRUCTIONS

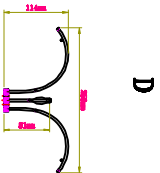
1. Please take off the plastic sheet from the lamp body.
2. Please fix (B) (C) (DX)(G) with (E),(F) with(B) (C) (D).
3. Please wear gloves when you hanging the glass.
4. Install bulbs( NOT INCLUDED).USE 120V G9 # 5\*40W Max.



4 PCS



5 PCS



2 PCS



24 PCS



5 PCS



24PCS