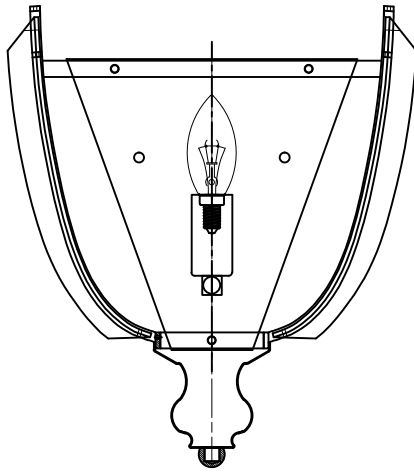



Trade Mark:
CRYSTAL WORLD INC

Product Name: Wall lamp
Model :5686W9-1
120Vac, 60Hz,AC ONLY
Lamp Size:W9"*H12"*E6"




C US
Intertek
4006677

PENDANT LAMP ASSEMBLY INSTRUCTIONS

1. Please take off the plastic sheet from the lamp body.
2. Install bulbs(NOT INCLUDED).USE **120V E12**  **1*60W Max.**

