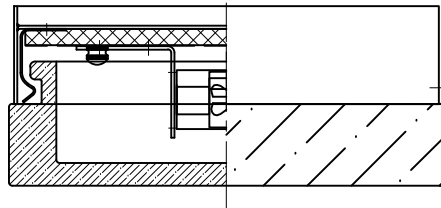


Trade Mark:
CRYSTAL WORLD INC

Product Name: Ceiling lamp
Model :5693C5-1-615
120Vac, 60Hz,AC ONLY
Lamp size:L5"*W5"*H2"

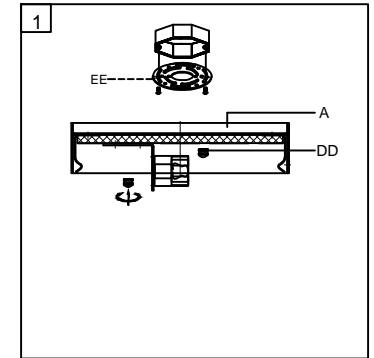


CEILING LAMP ASSEMBLY INSTRUCTIONS

1. Place fixture (A) onto Butterfly (EE).
secure with Mounting screw (DD).

Hardware Used

- AA Cap nut  X 2
DD Mounting screw  X 2



3. Install light bulbs (not included).
Use bulb
120V G9 1*40W Max.

