

CWI LIGHTING

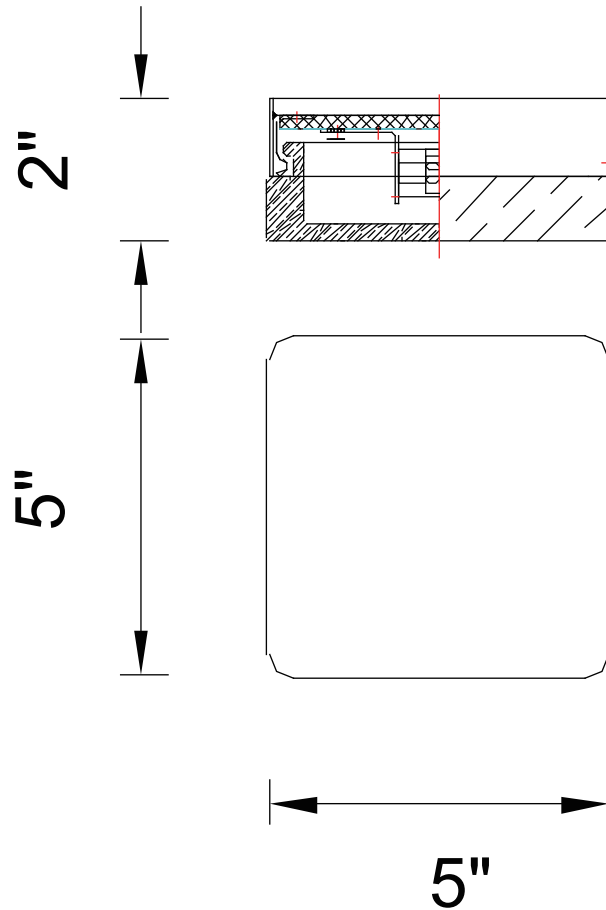
BRIGHTER LIVING. SIMPLIFIED.

PROJECT: _____

FIXTURE TYPE: _____

LOCATION: _____

CONTACT/PHONE: _____



Item	5693C5-1-615
Collection	AVOCA
Finish	Matt Satin Nickel
Glass	-----
Crystal	-----
Input	120V AC,60HZ,AC

Shade	-----
Length/Dia.	5"
Width/Ext.	5"
Height	2"
Maximum	-----
Lumens	-----

Light Source	G9
Bulb Info.	1×40W
Included	-----
Dimmable	No
Color	-----
Weight	