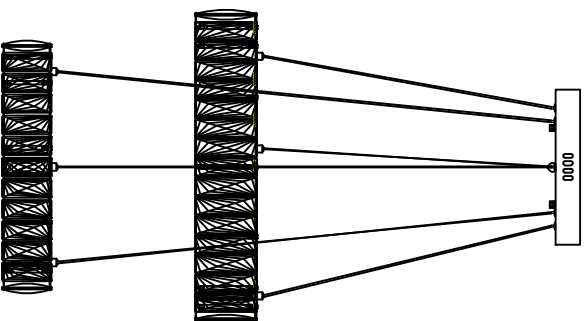


Product Name: Pendant lamp
Model :5704P20-2-601
120V/ac, 60Hz,AC ONLY
Lamp Size:ø20"XH17"-135"

Trade Mark:
CRYSTAL WORLD INC

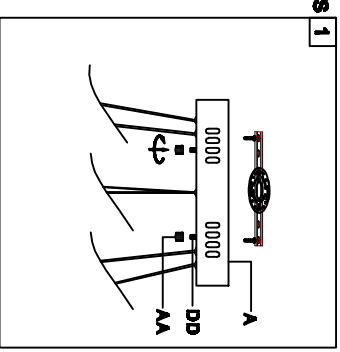


PENDANT LAMP ASSEMBLY INSTRUCTIONS

1. Place fixture (A) onto mounting screws (DD), secure with cap nuts (AA).

Hardware Used

AA Cap nut X 2
 DD Mounting screw X 2



2. lighting bulbs (not included).
120V LED 18+15*1W
DIMMABLE (4000K)

