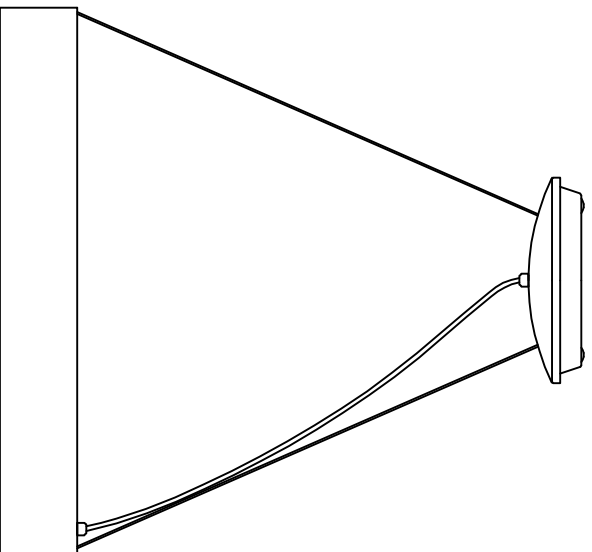


Trade Mark:  
**CRYSTAL WORLD INC**

**Product Name: Pendant lamp**  
**Model :7103P24-1-167-A**  
**120Vac, 60Hz,AC ONLY**  
**Lamp Size:D24"H3"**



## PENDANT LAMP ASSEMBLY INSTRUCTIONS

1. Lighting bulbs ( NOT INCLUDED).  
120V LED  .....W DIMMABLE (4000K)

