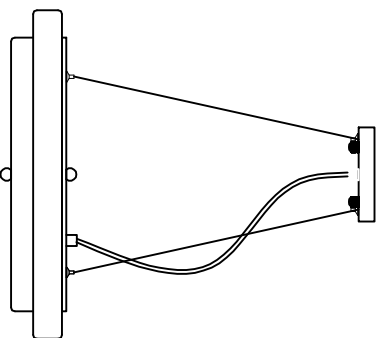


Trade Mark:
CRYSTAL WORLD INC

Product Name: Pendant lamp
Model :7106P17-1-177
120Vac, 60Hz,AC ONLY
Lamp Size:ø17"*H123"




c
u
Interfek
4006677

PENDANT LAMP ASSEMBLY INSTRUCTIONS

1. Place fixture (1) onto mounting screws (DD). Secure with Cap nut (AA).

Hardware Used

AA Cap nut  X 2
DD Mounting screw  X 2

3. Install lighting bulbs (not included).

USE 120V LED 1*25W Max.

