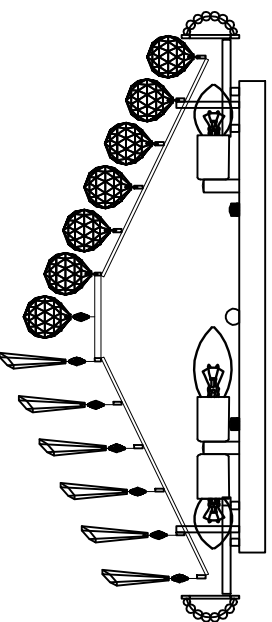


Trade Mark:
CRYSTAL WORLD INC

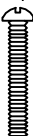
Product Name: Ceiling lamp
Model :8040C24C
120Vac, 60Hz,AC ONLY
Lamp size:Ø24"XH10"

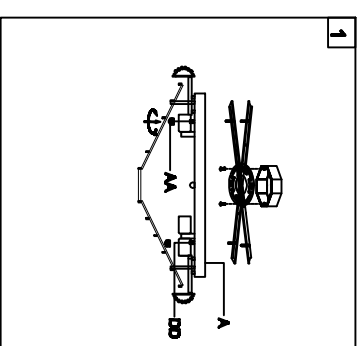


CEILING LAMP ASSEMBLY INSTRUCTIONS

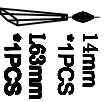


1. Place fixture(A) onto mounting screws (DD), secure with cap nuts (AA).

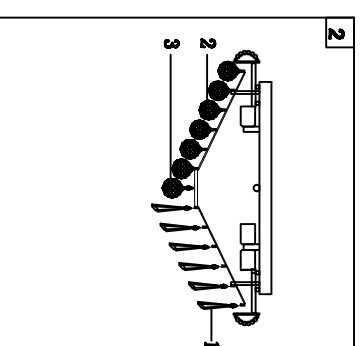
Hardware Used

| | | |
|-------------------|---|-----|
| AA Cap nut | ⊖ | X 4 |
| DD Mounting screw |  | X 4 |



2. Please put the crystal (1) (2) (3) in the fixture .

| | | |
|---|--|--|
| 1 | 2 | 3 |
|  14mm *1PCS 163mm *1PCS |  40mm*1 pcs |  14mm*1pcs 40mm*1pcs |
| 84PCS | 84PCS | 1PCS |



3. Install light bulbs (not included).
Use bulb
120V E12 9*40W Max.

