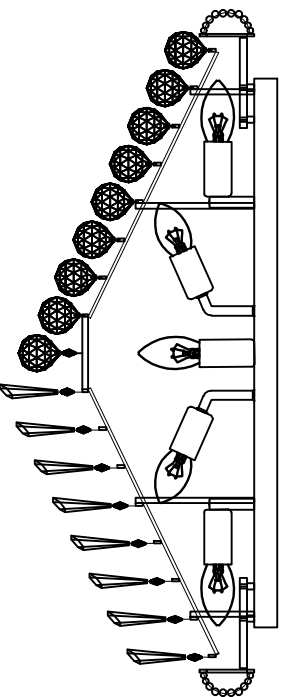


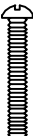
CEILING LAMP ASSEMBLY INSTRUCTIONS

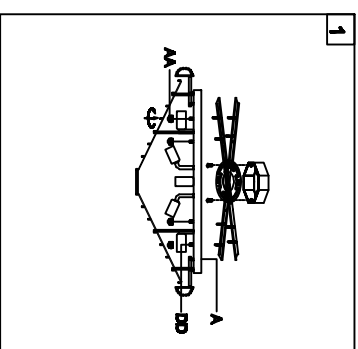
Trade Mark:
CRYSTAL WORLD INC

Product Name: Ceiling lamp
Model :8040C30C
120V/ac, 60HZ,AC ONLY
Lamp size:Ø30"XH12"



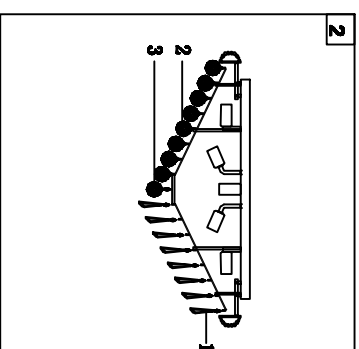
1. Place fixture(A) onto mounting screws (DD), secure with cap nuts (AA).

<u>Hardware Used</u>		
AA Cap nut	a	X 8
DD Mounting screw		X 8



2. Please put the crystal (1) (2) (3) in the fixture .

- | | | |
|--------------------------------|----------------|-------------------------------|
| 1
↓ 14mm*1PCS
163mm*1PCS | 2
40mm*1pcs | 3
↓ 14mm*1pos
40mm*1pcs |
| 144PCS | 144PCS | 1PCS |



**3. Install light bulbs (not included).
 Use bulb
 120V E12 16*40W Max.**

