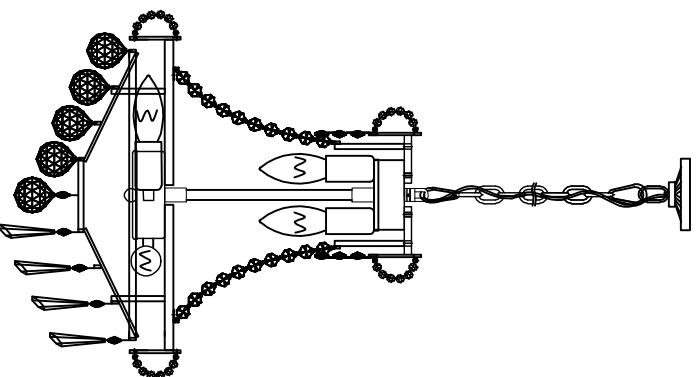



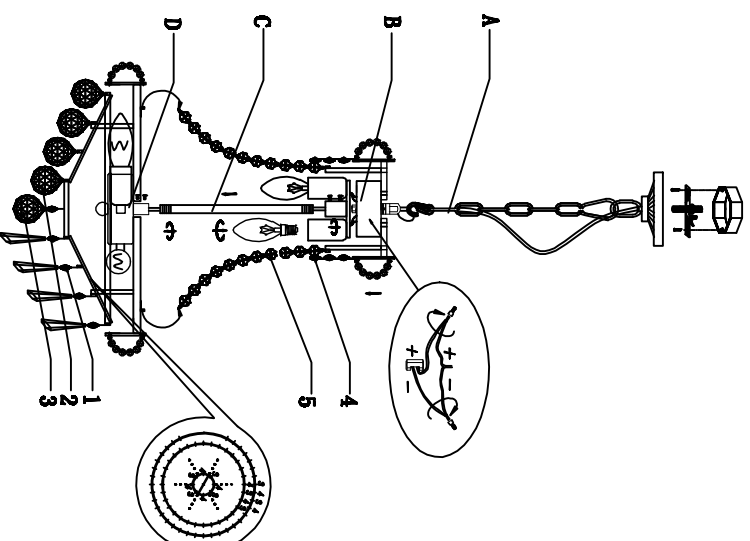
Trade Mark:
CRYSTAL WORLD INC










Product Name: Pendant lamp
Model :8040P16C
120Vac, 60Hz,AC ONLY
Lamp Size:Ø16"X20"H



PENDANT LAMP ASSEMBLY INSTRUCTIONS

- 1.Screw part (C) onto the part (D) secure with screw.
- 2.Screw part (B) onto the part (C) secure with screw.
- 3.Please fix (A) with (B).
- 4.Please wear gloves when you hanging the crystal.
- 5.Install bulbs(NOT INCLUDED)USE 120V E12  6*40W Max.



- | | | | | | | | |
|-------|---|-------|---|------|---|-------|--|
| 1 |  14mm*1pcs | 2 |  40mm*1PCS | 3 |  14mm*1PCS | 4 |  14mm*3pcs |
| 40PCS |  63mm*1pcs | 40PCS |  40mm*1PCS | 1PCS |  40mm*1PCS | 24PCS |  14mm*10pcs |
| | | | | | | 24PCS |  14mm*10pcs |

