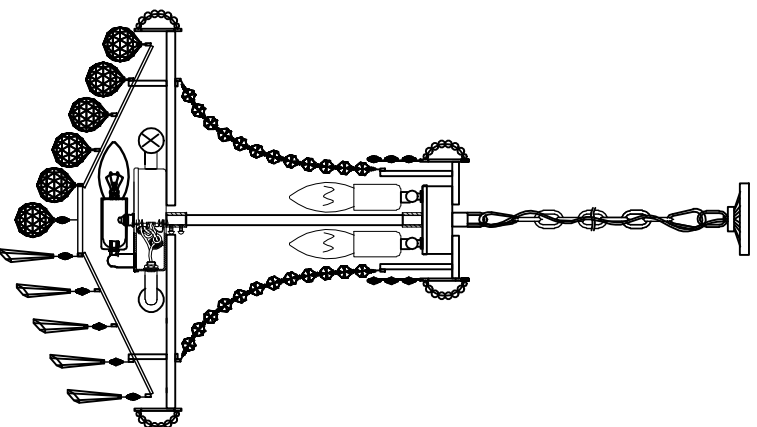



Trade Mark:
CRYSTAL WORLD INC

Product Name: Pendant lamp
Model :8040P20C
120Vac, 60Hz,AC ONLY
Lamp Size:Ø20"X24"H



PENDANT LAMP ASSEMBLY INSTRUCTIONS

- 1.Screw part (C) onto the part (D) secure with screw.
- 2.Screw part (B) onto the part (C) secure with screw.
- 3.Please fix (A) with (B).
- 4.Please wear gloves when you hanging the crystal.
- 5.Install bulbs(NOT INCLUDED)USE 120V E12  9*40W Max.

