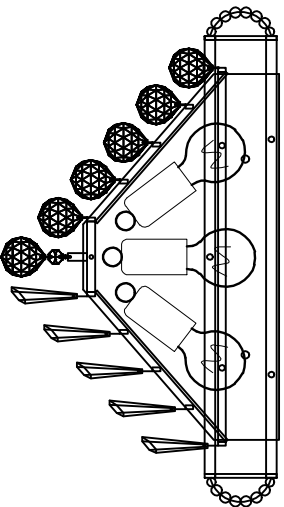


Trade Mark:
CRYSTAL WORLD INC

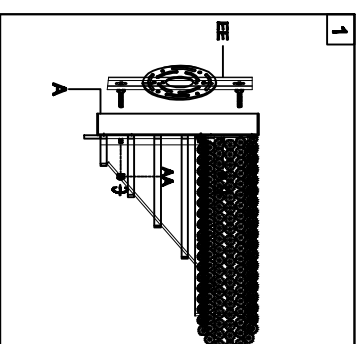
Product Name: Wall Lamp
Model :8040W16C
120Vac, 60HZ,AC ONLY
Lamp Size:W16"xH9"xE9"



WALL LAMP ASSEMBLY INSTRUCTIONS

1. Place fixture(A) onto Butterfly (EE).
Secure with cap nuts (AA).

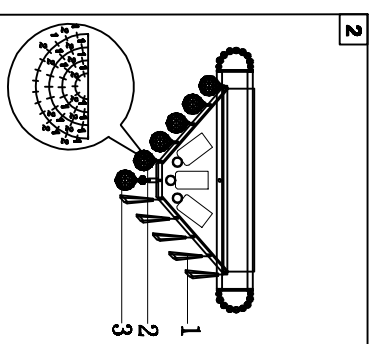
Hardware Used
AA Cap nut A X 2



2. Please hang the crystal (1) (2) (3) to the fixture.

1 2 3

55mm*1PCS 30mm*1PCS 14mm*1PCS
27PCS 30mm*1PCS 30mm*1PCS
32PCS 1PCS



3. Install light bulbs (not included).
Use bulb
120V E12 3*40W Max.

