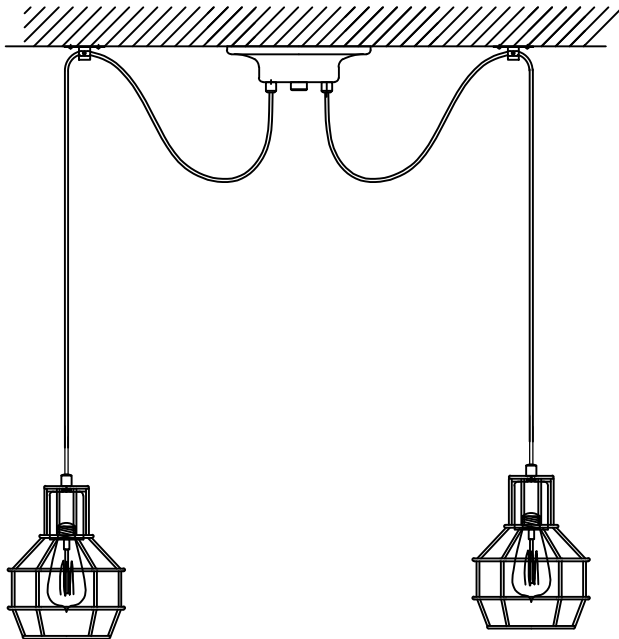


Trade Mark:
CRYSTAL WORLD INC

Product Name: Pendant lamp
Model :9608P31-9-101
120Vac, 60Hz,AC ONLY
Lamp Size:D31"*H11"~H67"


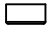


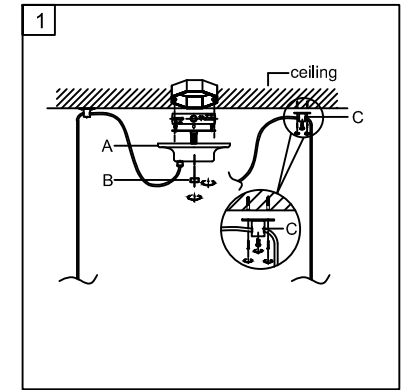

C CLASSIFIED US
Intertek
4006677

Pendant LAMP ASSEMBLY INSTRUCTIONS

1. Place fixture (1) onto mounting screws (DD). Secure with Cap nut (AA).

Hardware Used

DD Mounting screw  X 2
B Cap nut  X 1



2. Install lighting bulbs (not included).

USE 120V E26  9*40W Max.

