

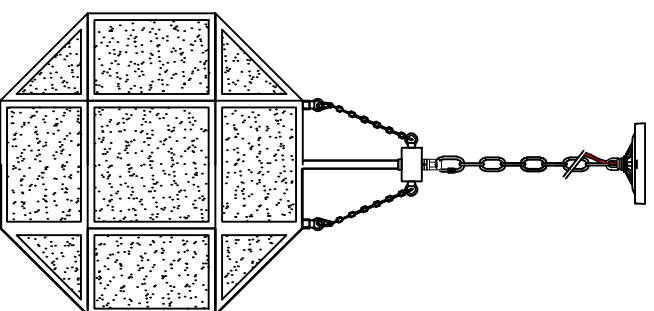
Trade Mark:
CRYSTAL WORLD INC

Product Name: Pendant lamp

Model :9695P19-4

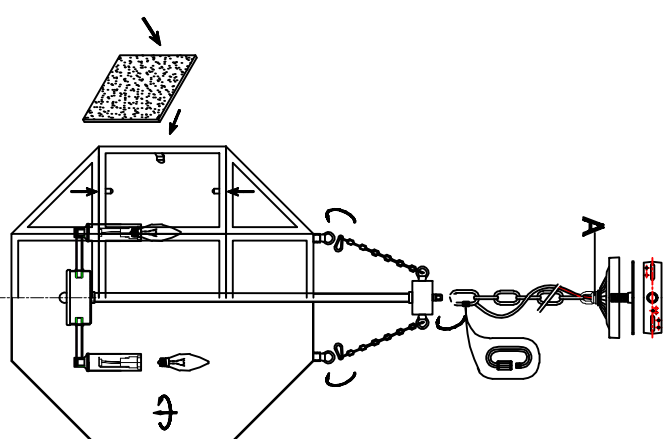
120Vac, 60Hz,AC ONLY

Lamp Size:D19"*H25"



PENDANT LAMP ASSEMBLY INSTRUCTIONS

- 1.Please put the glass(D) on the (C).
2. Please fix (B) with (C).
- 3.Install bulbs (NOT INCLUDED).USE **120V E12**  **4*40W Max.**




c Intertek
us
4006677

