

CWI LIGHTING

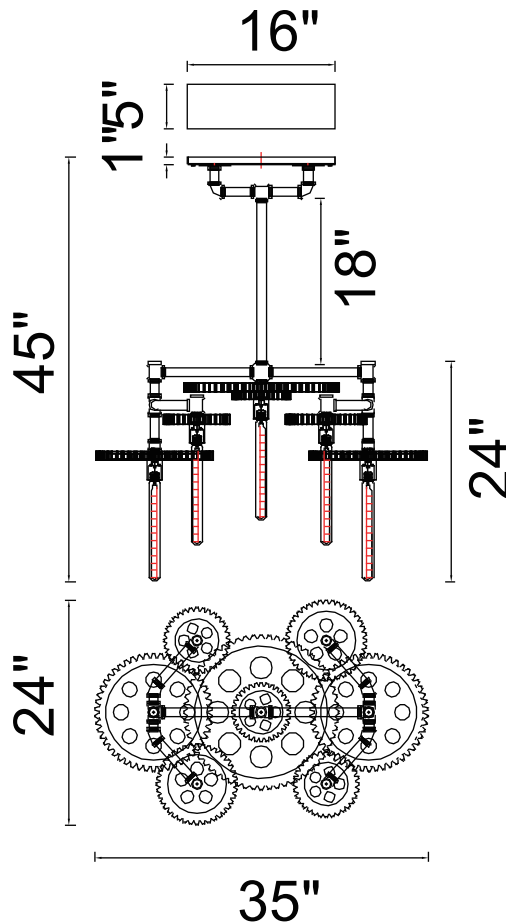
BRIGHTER LIVING. SIMPLIFIED.

PROJECT: _____

FIXTURE TYPE: _____

LOCATION: _____

CONTACT/PHONE: _____



Item	9698P35-7-187
Collection	ODER
Finish	Silver Gray
Glass	-----
Crystal	-----
Input	120V AC,60HZ,AC

Shade	-----
Length/Dia.	35"
Width/Ext.	24"
Height	24"
Maximum	24"
Lumens	-----

Light Source	E26
Bulb Info.	7×60W
Included	-----
Dimmable	No
Color	-----
Weight	