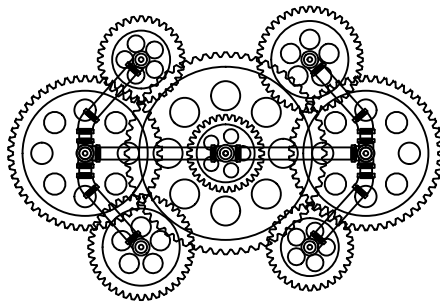
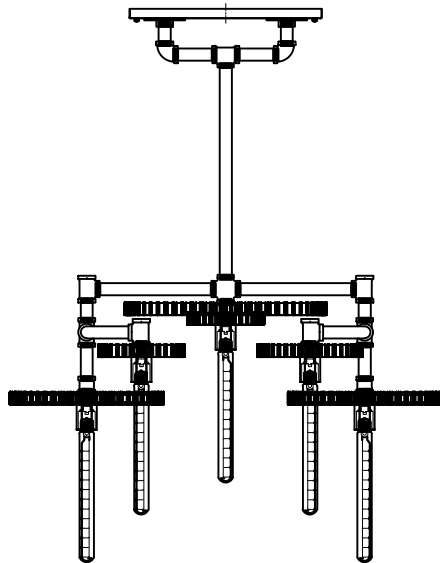
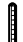


Trade Mark:  
CRYSTAL WORLD INC

Product Name: Pendant lamp  
Model :9698P35-7  
120Vac, 60Hz,AC ONLY  
Lamp Size:L35"\*W23"\*H13"



## PENDANT LAMP ASSEMBLY INSTRUCTIONS

1. Please take off the plastic sheet from the lamp body.
2. Install bulbs( NOT INCLUDED).USE **120V E26**  **7\*40W Max.**

