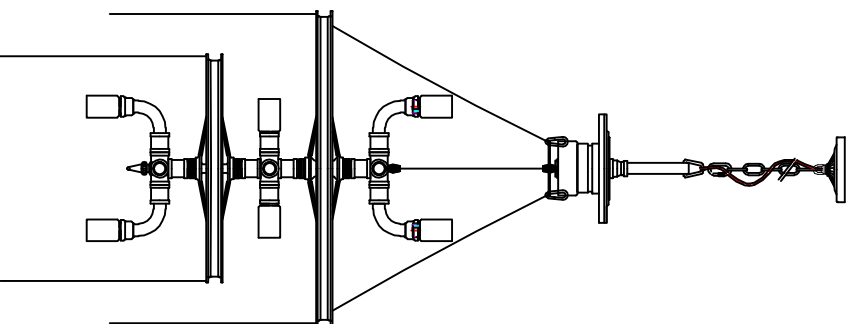


Trade Mark:
CRYSTAL WORLD INC

Product Name: Pendant lamp
Model :9717P24-12-187
120Vac, 60Hz,AC ONLY
Lamp Size:Ø24"xH52"



PENDANT LAMP ASSEMBLY INSTRUCTIONS

1. Install bulb(s) (NOT INCLUDED), USE 120V E12



12"60W Max.

