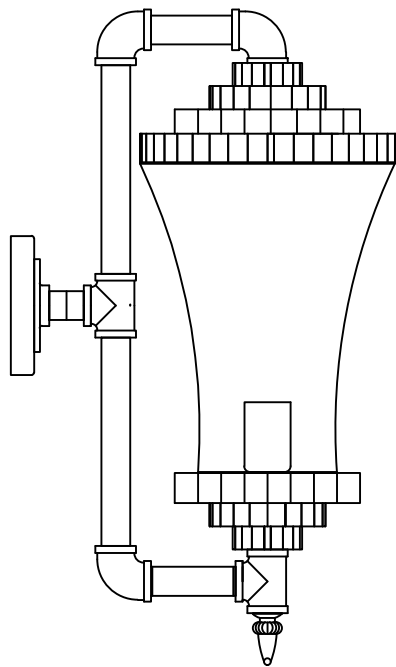



Trade Mark:
CRYSTAL WORLD INC

Product Name: Pendant lamp
Model :9727W9-1-210
120Vac, 60Hz,AC ONLY
Lamp Size:W9"*H21"*E13"



Intertek
4006677

PENDANT LAMP ASSEMBLY INSTRUCTIONS

1. Install bulbs(NOT INCLUDED),USE 120V E12  2*60W Max.

