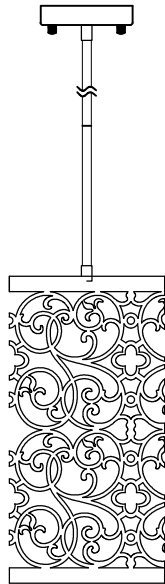


Trade Mark:
CRYSTAL WORLD INC



Product Name: Pendant lamp
Model :9832P8-106
120Vac, 60Hz, AC ONLY
Lamp Size: D8"H16"~75"

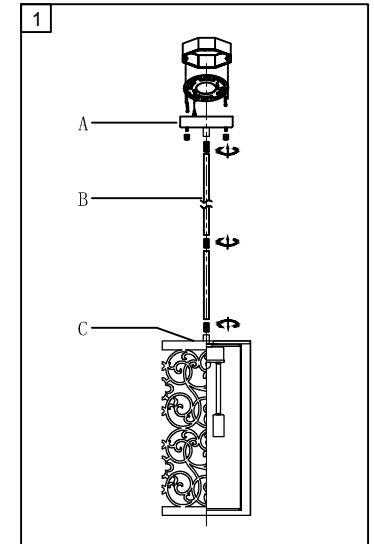


PENDANT LAMP ASSEMBLY INSTRUCTIONS

1. Place fixture(A) onto mounting screws (DD), secure with cap nuts (AA). Please fix (A) with (B). (B) with (C).

Hardware Used

AA Cap nut		X 2
DD Mounting screw		X 2



2. Install light bulbs (not included).
Use bulb
120V E12 2*40W Max.

