

CWI LIGHTING

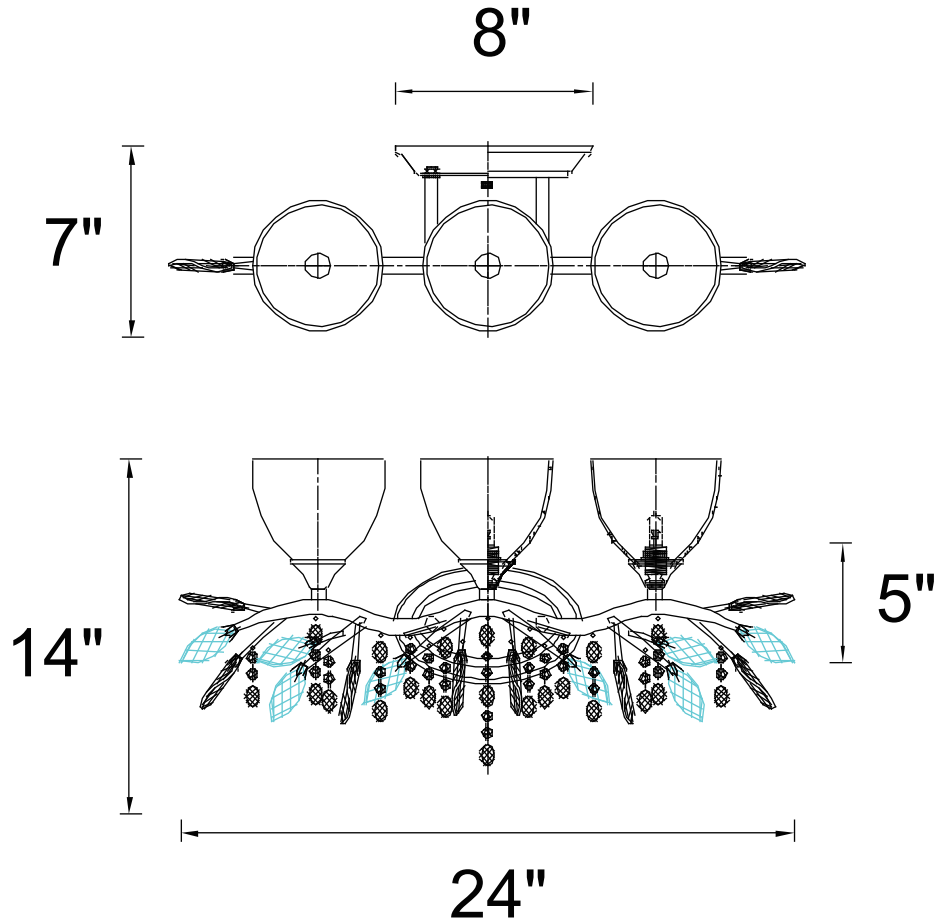
BRIGHTER LIVING. SIMPLIFIED.

PROJECT: _____

FIXTURE TYPE: _____

LOCATION: _____

CONTACT/PHONE: _____



| | |
|------------|-----------------|
| Item | 9842P19-6-184 |
| Collection | MACKAY |
| Finish | Speckled Nickel |
| Glass | ----- |
| Crystal | Clear |
| Input | 120V AC,60HZ,AC |

| | |
|-------------|-------|
| Shade | ----- |
| Length/Dia. | 24" |
| Width/Ext. | 7" |
| Height | 14" |
| Maximum | ----- |
| Lumens | ----- |

| | |
|--------------|-------|
| Light Source | G4 |
| Bulb Info. | 6x20W |
| Included | ----- |
| Dimmable | No |
| Color | ----- |
| Weight | |

CWILIGHTING
www.cwilighting.com
Info@cwilighting.com

140 Steelcase Rd.W.
 Markham ON. L3R 3J9 Canada
 Tel: 905 940 4999
 Toll: 1-877-564-6034
 Fax: 905-940-0126
 Toll Fax: 1-866-840-2796

Dallas showroom
 Dallas Market Center
 Showroom #: 3327
 2100N. Stemmons Frwy.
 Dallas, TX 75207

