

# CWI LIGHTING

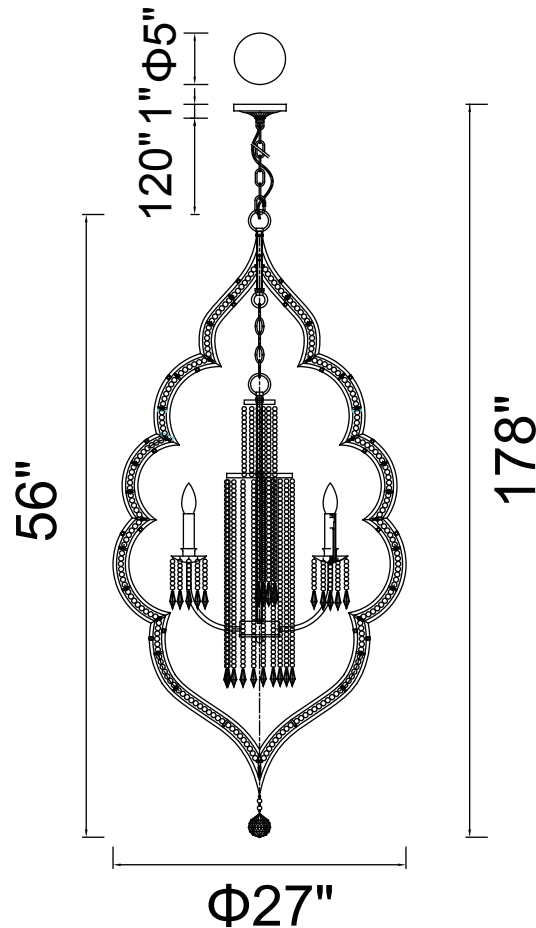
BRIGHTER LIVING. SIMPLIFIED.

PROJECT: \_\_\_\_\_

FIXTURE TYPE: \_\_\_\_\_

LOCATION: \_\_\_\_\_

CONTACT/PHONE: \_\_\_\_\_



Item	9853P27-8-195
Collection	SEINE
Finish	Champagne
Glass	-----
Crystal	Clear
Input	120V AC,60HZ,AC

Shade	-----
Length/Dia.	27"
Width/Ext.	-----
Height	56"
Maximum	178"
Lumens	-----

Light Source	E12
Bulb Info.	8×60W
Included	-----
Dimmable	No
Color	-----
Weight	